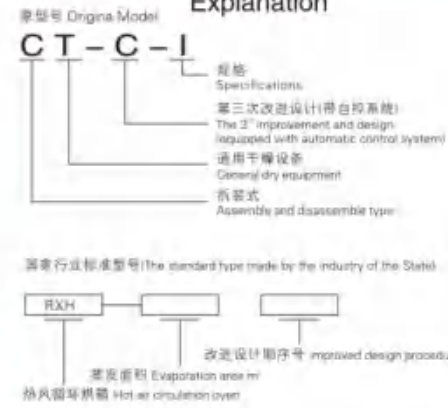


CT-C Hot Air Circulating Drying Oven CT-C 系列热风循环烘箱

CT-C Hot Air Circulating Drying Oven CT-C 系列热风循环烘箱

说明 Explanation



- 一、加热源有蒸汽、电、远红外、气电两用, 供用户选择
- 二、使用温度: 蒸汽加热50-130℃, 最高140℃
- 三、用电、远红外温度50-300℃, 可配套自控系统或电脑控制系统, 供用户选择
- 四、常用蒸汽压力0.2-0.8Mpa(2-8kg)
- 五、配用电加热按1型计算15kw, 实用5-8kw/h
- 六、特殊要求在定货时表明
- 七、非标烘箱价格面议
- 八、使用温度大于140℃或小于60℃, 要在定货时注明
- 九、本厂出厂的烘车, 烘盘尺寸统一, 可以互换
- 十、烘盘尺寸: 460X640X45mm

1. Options of heat source: steam, electricity, or far infrared, or both steam electricity.
2. Drying temperature: steam heating 50-130 °C, Max. 140 °C.
3. Electricity and far infrared: 50-300 °C. Automatic control system and computer control system on request.
4. Commonly used steam pressure 0.2-0.8Mpa(2-8 kg).
5. For CT-C-I, electric heated, rated power consumption: 15Kw, real consumption: 5-8Kw.
6. The special requirements should be indicated at the time of order.
7. Please consult as for any special requirements.
8. For operation temperature of over 140 °C or less than 60 °C, please indicate when order.
9. The ovens and baking trays made by our factory are uniform in dimensions, and can be exchanged each other.
10. Baking plate dimensions: 460*640*45mm



一次成型打孔盘
Once shaping punched plate



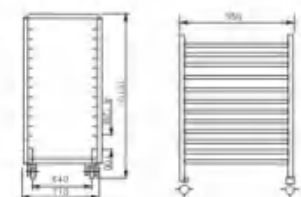
手工井字网盘
Manual, ultra-square mesh plate



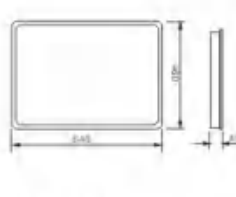
一次成型压制盘
Once shaping pressed plate



轴流风机 Axial fan



定型烘车 材质: 不锈钢、A3钢
Shaped Baking Cart
Material: stainless steel, A3 steel



定型压制烘盘 材质: 不锈钢, 防锈铝合金
Shaped Pressed Baking-Plate
Material: stainless steel, rustproof aluminum alloy

our country catch the advanced level both at home and abroad. In order to save a large quantity of the energy in our country, in order to enhance the economic results of the enterprises, in 1990, the medicine management bureau of the State issued the industry standard and the uniform type is RXH.

概述 Description

CT-C系列热风循环烘箱配用低噪音耐高温轴流风机和自动控温系统, 整个循环系统全封闭, 使烘箱的热效率从传统的烘房3-7%提高到目前的35-45%, 最高热效率可达50%。CT-C型热风循环烘箱的设计成功, 使我国的热风循环烘箱达到了国内外先进水平。为我国节约了大量能源, 提高了企业的经济效益。1990年由国家医药管理局发布了行业标准, 统一型号为RXH。

CT-C series hot air circulation drying oven uses a low noise and high temperature proof axial flow blower and an automatic temperature control system. The whole circulation system is the fully enclosed to make that the heat efficiency of the drying oven increases from 3-7% of the traditional drying oven to 35-45% of the present one. The highest heat efficiency can reach 50%. The successful design of CT-C hot air circulation drying oven makes that the hot air circulation drying oven in

特点 Features

大部分热风在箱内循环, 热效率高, 节约能源。利用强制通风作用, 箱内设有可调式分风板, 物料干燥均匀, 热源采用蒸汽、热水、电、远红外, 选择广泛。整机噪音小, 运转平衡。温度自控, 安装维修方便。适用范围广, 可干燥各种物料, 是通用干燥设备。

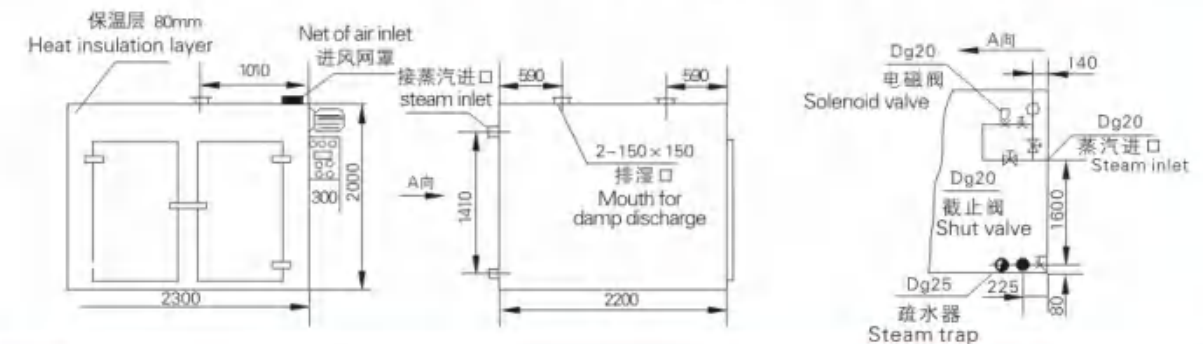
Most hot air is circulated in the oven. The heat efficiency is high and the energy is saved. By using the forced ventilation function, there are adjustable air distribution plates inside the oven. The materials can be dried uniformly. The heating source might be steam, hot water, electricity and far infrared. With a wide selection. The whole machine is low in the noise. The operation is in balance. The temperature is controlled automatically. The installation and maintenance are easy. The application is wide. The machine can be used for drying various materials and is a versatile drying equipment.

应用 Application

适用于制药、化工、食品、农副产品、水产品、轻工、重工等行业物料及产品的加热固化、干燥脱水。如原料药、生药、中药饮片、浸膏、粉剂、颗粒、冲剂、水丸、包装瓶、颜料染料、脱水蔬菜、瓜果干、香肠、塑料树脂、电器元件、烘漆等。

This drying oven is suitable for the material and product hot solidification and dry de-watering in the pharmaceutical, chemical, food, farming, side-product, aquatic product, light industries, heavy industries and others industries. Such as: raw material medicine, crude drug, prepared herbal medicine of Chinese traditional medicine, plaster, powder, particle, drinking agent, pill, packing bottle, pigment, dyestuff, de-watering vegetable, dried fruit piece, sausage, plastics, resin, electric component, baking varnish and etc.

CT-C-II 型烘箱尺寸示意图 Dimensional diagram of CT-C-II drying oven



技术参数 Technical parameters

序号 Number	型号 Model	YY0026-90 行业标准 型号 Fast standard model	技术参数 Technical data							配件 Accessories			总重量 Total weight (kg)		
			蒸发面积 Evaporation area (m ²)	有效容积 Efficient volume (m ³)	每次干燥量 (kg批) drying capacity (kg/batch)	耗用蒸汽 Steam consumption (kg/h)	散热器 面积 Radiator area (m ²)	电加热 功率 Electric heating power (kW)	风机风量 Fan volume (m ³ /h)	风机 电功率 Fan power (kW)	外形尺寸 宽×深×高 Overall dimension W×D×H (mm)	应配烘车 (辆) Equipped drying cart (set)		应配烘盘 (只) Drying plate (square) (pc)	温度自控箱 Temperature control box
1	CT-C-0	RXH-5-C	6	1.0	40	8	8	6	3450	0.45	1380 × 1200 × 2000	1	16	有 Available	820
2	CT-C-I	RXH-14-C	14.1	2.6	120	18	20	15	3450	0.45	2260 × 1200 × 2000	2	48	有 Available	1580
3	CT-C-IA	RXH-7-C	7.1	1.3	60	10	10	9	3450	0.45	1380 × 1200 × 2000	1	24	有 Available	820
4	CT-C-II	RXH-27-C	28.3	4.9	240	36	40	30	6900	0.45 × 2	2260 × 2200 × 2000	4	96	有 Available	1800
5	CT-C-IIA	RXH-27A-C	28.3	4.9	240	36	40	30	6900	0.45 × 2	4280 × 1200 × 2270	4	96	有 Available	1880
6	CT-C-III	RXH-41-C	42.4	7.4	360	60	80	45	10350	0.45 × 3	2260 × 3200 × 2000	6	144	有 Available	2100
7	CT-C-IIIA	RXH-41A-C	42.4	7.4	360	60	80	45	10350	0.45 × 3	3240 × 2200 × 2000	6	144	有 Available	2210
8	CT-C-IV	RXH-54-C	56.5	10.3	480	80	100	60	13800	0.45 × 4	4280 × 2200 × 2270	8	192	有 Available	2800
9	CT-I	RXH-14-B	14.1	2.6	120	20	23	15	3450	1.1	2480 × 1200 × 2375	2	48	无 None	1220
10	CT-II	RXH-27-B	28.3	4.9	240	40	48	30	5230	1.5	2480 × 2200 × 2438	4	96	无 None	1530
11	CT-III	RXH-41-B	42.4	7.4	360	60	72	45	9800	2.2	3430 × 2200 × 2620	6	144	无 None	2110
12	CT-IV	RXH-54-B	56.5	10.3	480	80	96	60	11800	3	4460 × 2200 × 2620	8	192	无 None	2300

箱体外壳材质有: A钢、不锈钢; 内室材质有: 铝合金、不锈钢; 烘车材质有: A钢、不锈钢; 烘盘材质有: 不锈钢、镀锌板。
Outer wall materials of the oven include: A steel, stainless steel; inner wall materials: aluminum alloy, stainless steel; drying trolley materials: A steel, stainless steel, galvanized sheet.
备注: 所有设备都在不断改进之中, 选购设备以最新资料为准。

MODEL (GMP) Oven For Medicine Use 药用型(GMP)烘箱

特点 Features

- ◇ 加热热源有蒸汽、电、电蒸汽两用型三种方式。
- ◇ 使用温度: 蒸汽加热50-140°C, 最高150°C; 电加热50-350°C;
- ◇ 温度实行自动控制, 并且有记录仪记录;
- ◇ 箱体内壁均满焊, 各过渡处均采用圆弧过渡, 无死角。
- ◇ 整机密封性好, 独特的导轨密封装置, 保证了整机的密封性;
- ◇ 进风口配套高效空气过滤器; 排湿口配套中效空气过滤器。
- ◇ 双开门烘箱双门实现机械联锁;
- ◇ 烘箱内各零部件均可快速拆卸、快速安装, 以方便清洗;
- ◇ 控制系统备有文本显示器、触摸屏可供选择;
- ◇ 整机符合“GMP”要求。



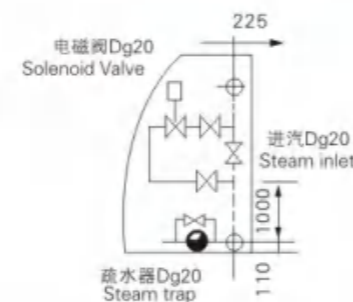
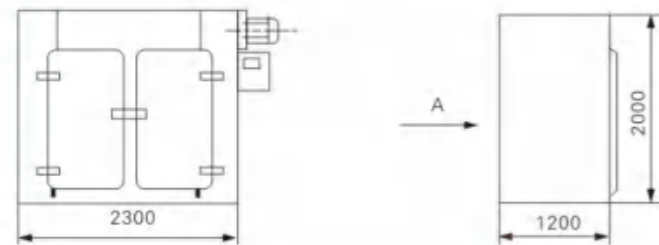
- ◇ The three kinds of heat source used for heating are steam, electricity, both steam and electricity.
- ◇ Operation temperature: steam, 50-140°C, Max. 150°C; electricity, 50-350°C. The temperature can be controlled automatically. Moreover it can be recorded through recorder.
- ◇ The inner wall of oven body is fully welded. Every place of transition adopts circular arc transition design and no dead corner.
- ◇ The seal property of whole machine is good. Being adopted unique guide rail seal apparatus, the seal property can be guaranteed.

- ◇ The air inlet is equipped with high effective air filter and the damp exhaust outlet is equipped with middle effective air filter.
- ◇ The double doors of oven adapt mechanical interlock apparatus.
- ◇ All parts inside the oven can be assembled and disassembled quickly in order to clean conveniently.
- ◇ The control system has text display and touch screen for your choice.
- ◇ The whole machine is in conformity with the requirements of GMP.

安装示意图

Schematic of installation

GMP-I(蒸汽加热型) GMP-I (steam heating type)



技术参数 Technical parameters

型号规格 type and specification	每次干燥量 batch drying capacity (kg)	风机功率 power of fan (kw)	耗用蒸汽 steam to be consumed (kg/h)	烘车(辆) drying trolley (set)	配用烘盘 baking trays	外型尺寸 overall dimensions (L x W x H)mm
GMP-O	35	0.45	8	1	16	1130 x 1100 x 1750
GMP-I	120	0.45	18	2	48	2300 x 1200 x 2000
GMP-II	240	0.9	36	4	96	2300 x 2200 x 2000
GMP-III	360	1.35	54	6	144	3430 x 2200 x 2000
GMP-IV	480	1.8	72	8	192	4460 x 2200 x 2290

SMH Series Tunnel Aseptic Drying Oven SMH 系列隧道灭菌烘箱



应用

本系列隧道式灭菌烘箱, 是我国根据国内技术资料结合用户经验进行设计改造的一种新颖高效烘箱。该设备结构紧凑, 造型美观, 烘箱内壁及输送链条等全部采用1Cr18Ni9Ti优质不锈钢制造。采用石英管辐射加热, 或者根据用户需要, 采取煤气加热, 对西林瓶、安瓿瓶、化妆品瓶、制药玻璃制品瓶和中药及其它物料连续烘干灭菌。工作场所整洁, 生产效率高, 是目前我国制药厂、中药厂、饮料厂、日用化工厂必不可少的设备之一。

Application

The series channel sterilization oven is a new style and high effect oven designed and reworked on the basis of absorbing domestic and abroad data and combining customers experience. Its construction are compact and beauty in shape. Its inner wall and transmission chain all are made of 1Cr18Ni9Ti qualified stainless steel. It adapts quartz tube to heat through radiation. Mean while it can also adapt gas to heat accordance with the requirements of customers. It can sterilize continuously to ampoule bottle, cosmetic bottle, glassware used for pharmaceutical industry, traditional Chinese medicines and so on. its productive field is clean and tidy and its productive efficiency is high. Now it is a indispensable equipment in pharmaceutical factory, traditional Chinese medicine factory, drinking factory, drinking factory and chemical industry concerned with products for daily use.

技术参数 Technical parameters

型号 Model	名称 Name 参数 Parameter	加热功率 heat power (kw)	温度范围 Scope of temperature(°C)	长×宽×高 L×W×H m	隧道宽度 width of channel(m)	传动速度 driving speed (m/sec)	班产 Output per shift (万支) (ten thousand pieces)	重量 Weight (kg)
SMH-3M		18	50-350	3×0.75×1.6	0.38	0.1-1	5-15	500
SMH-4M		18	50-350	4×0.75×1.6	0.38	0.1-1	5-20	700
SMH-5M		24	50-350	5×0.75×1.6	0.38	0.1-1	10-25	900
SMH-6M		30	50-350	6×0.75×1.6	0.38	0.1-1	15-35	1100
	黄元瓶烘箱4M Oven for yellow round bottle, 4m	24	50-350	4×0.90×1.7		0.1-1		

DW Single-layer Mesh-belt Dryer DW 系列单层带式干燥机



概述 Description

该机是穿流连续式干燥设备, 用于透气性较好的片状、条状、颗粒状物料的干燥, 对于脱水蔬菜、中药饮片等含水率高、而温度不允许高的物料尤为合适; 该系列干燥机具有干燥速度快、蒸发强度高、产品质量好的优点, 对脱水滤饼状的膏状物料, 需经造粒或制成棒状后亦可干燥。

This machine is a continuous penetrating flow drying equipment applied for drying pieces strip and particles state materials with good ventilation. The machine is suitable for the materials such as dewatering vegetable, herbal medicine of traditional Chinese medicine and others, for which the water contents are high and high drying temperature is not high. The machine owns the advantages, of fast drying speed, high evaporation capacity and good product quality. The de-watered & filtered cake state paste material should be made into particles or strips before drying process.

原理 Principle

物料由加料器均匀地铺在网带上, 网带一般采用12-60目不锈钢丝网, 由传动装置拖动在干燥机内移动。干燥机由若干单元组成, 每一单元热风独立循环, 部分尾气由专门排湿风机排出, 废气由调节阀控制, 热气由下往上或由上往下穿过铺满物料的网带完成热量与质量传递的进程, 带走物料水份。网带缓慢移动, 运行速度可根据物料温度自由调节, 干燥后的成品连续落入收料器中。上下循环单元根据用户需要可灵活配备, 单元数量亦可根据需要选取。

The materials are uniformly distributed on the mesh-belt by the material feeder. The mesh-belt generally adopts 12-60 mesh stainless steel mesh and it is drawn by a transmission device and move inside the dryer. The dryer is composed of several sections. For each section, the hot air is circulated separately. Part of exhausted gas is exhausted by a special moisture exhaust blower. The waste gas is controlled by an adjustment valve. The hot air passes through the mesh-belt covered with material from the top to the bottom or from the bottom to the top and this will complete the heat and mass transfer process. This process will bring water away. The mesh-belt moves slowly, running speed can be freely adjusted according to the material property. The final products after the drying process will fall into the material collector continuously. The top and low circulation units can be freely equipped according to the user's requirements. The number of section might be selected according to the production demands.



特点 Features

- ◇ 可以调节空气量、加热温度、物料停留时间及加料速度以取得最佳干燥效果。
- ◇ 设备配置灵活, 可使用网带冲洗系统及物料冷却系统。
- ◇ 大部分空气循环利用, 高度节省能源。
- ◇ 独特的分风装置, 使热风分布更加均匀, 确保产品品质的一致性。
- ◇ 热源可采用蒸气、导热油、电或燃煤(油)热风炉配套。
- ◇ Amount of air, heating temperature, time of material stay on the belt and velocity of feeding material can be adjusted in order to obtain the best drying effect.
- ◇ Equipment's configuration is very flexible. It can use the netlike belt washing system and cooling raw material system.
- ◇ Hot air can be circularly applied, the energy is greatly saved.
- ◇ Unique air dividing device, it makes hot air distribute uniformly; this can guarantee products' quality.
- ◇ Heating source can be selected from steam, conducting heat oil, electricity, coal furnace and oil burner.

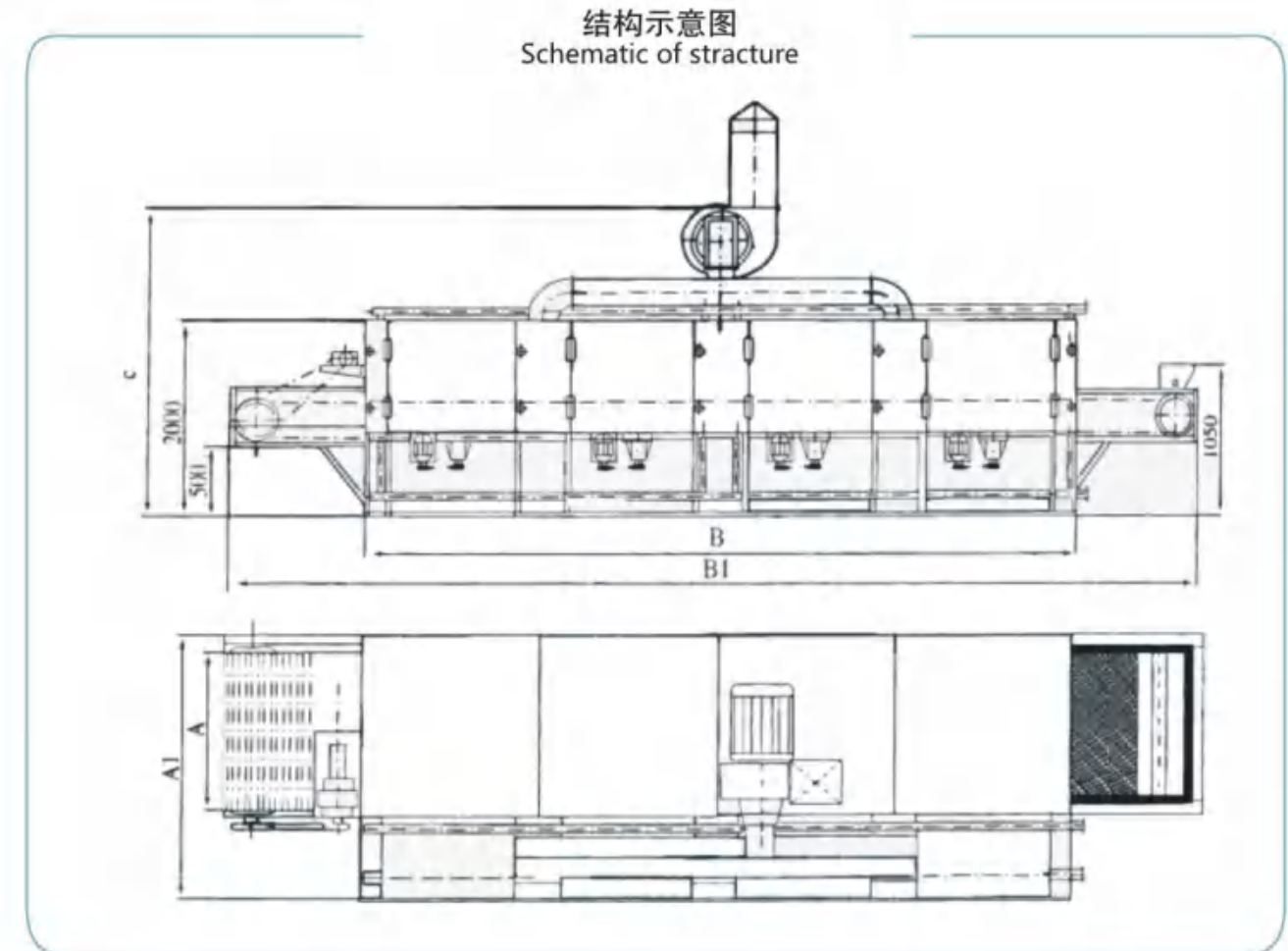


应用 Application

脱水蔬菜、颗粒饲料、味精、椰蓉、有机塑料、合成橡胶、丙烯酸纤维、药品、药材、小木制品、塑料制品、电子元件老化、固化等。

De-watering vegetable, particle feed, gourmet powder, shredded coconut stuffing, organic plastic, compound rubber, acral fibre, medicine product, medicine material, small wooden product, plastic product, aging and solidification for the electronic component and device.

DW Single-layer Mesh-belt Dryer DW 系列单层带式干燥机



技术参数 Technical parameters

型号 spec	单位 unit	DW-1.2-8	DW-1.2-10	DW-1.6-8	DW-1.6-10	DW-2-8	DW-2-10	
单元数 unit number		4	5	4	5	4	5	
干燥段长 drying section length	m	8	10	8	10	8	10	
铺料厚 thickness of the material	mm	≤60						
使用温度 temperature	℃	50-140						
蒸汽压力 steam pressure	Mpa	0.2-0.8						
蒸汽耗量 steam consumption	kgsteam/kgH ₂ O	120-300	150-375	150-375	170-470	180-500	225-600	
干燥强度 drying strength	kgH ₂ O/h	6-30						
装机功率 power equipped	KW	11.4	13.6	11.4	13.6	12.5	14.7	
外型尺寸 overall size	A	mm	1.2	1.2	1.6	1.6	2.0	2.0
	A1	mm	2.28	2.28	2.68	2.68	3.2	3.2
	B	mm	8.0	10.0	8.0	10.0	8.0	10.0
	B1	mm	9.5	11.5	9.5	11.5	9.5	11.5
	C	mm	2.5	2.5	2.5	2.5	2.6	2.6

注: 部分参数设计时视不同物料有所调整, 以设计为准。

DWT Series Dryer for Vegetable Dehydration

DWT系列脱水蔬菜干燥机

概述 Description

DWT脱水干燥机是在传统网带式干燥机基础上研究开发的专用型设备, 具有较强的针对性, 实用性, 能源效率高, 广泛用于各类地区性和季节性蔬菜、果品的脱水干燥, 如: 蒜片、南瓜、魔芋、白萝卜、山药、竹笋等, 已拥有用户50多家, 在线设备80多台套, 是国内最富经验的蔬菜干燥设备生产企业, 工厂科技人员长期跟踪服务于这些用户, 深入用户进行调试研究, 得到第一手实践资料并结合国外先进技术, 不断改进完善设备, 到目前为止, 已开发了对第三代DWT系列蔬菜脱水干燥机, 我们在为用户生产制作设备时, 根据所需干燥产品的特性, 用户工艺要求, 结合十几年来积累的经验, 为用户设计制作出最适用, 品质最佳的蔬菜干燥设备。



特点 Features

- ◇ 干燥面积、风压、风量、干燥温度、网带速度均可调节, 以适应蔬菜的特性及品质要求。
- ◇ 可根据蔬菜的不同特点, 采用不同的工艺流程及添加配套必要的辅助设备。
- ◇ Its dry area, air pressure, air amount, dry temperature and speed of net belt can be adjusted in order to be suitable for different characteristics of vegetable and the requirement of quality.
- ◇ It can adapt different process and equip necessary auxiliary equipment in accordance with different characteristics of vegetable.

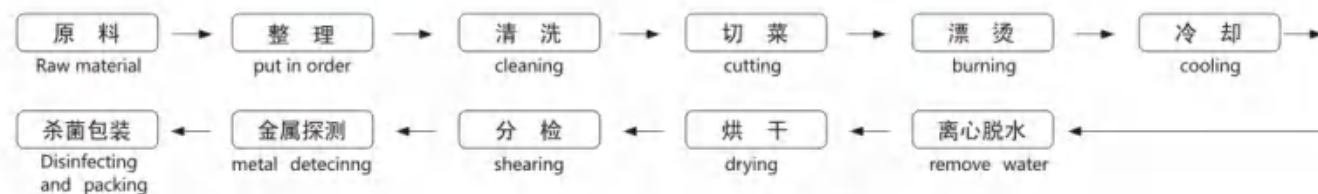
DWT Series Dryer for Vegetable Dehydration is special equipment researched and developed on the basis of traditional net belt dryer, it has stronger pertinency, practicability and high efficiency of energy. It is wide used for all kinds of vegetables dehydration such as garlic, cushaw, giantarum, white turnip, yam, bamboo shoot, etc at different region and season, our factory has more 50 of customers and more 80 of production line in operation. Our factory is an enterprise with the richest experience to manufacture dryer for vegetables dehydration. The technicians of our factory carry out after sales service for customers all the year round and help customers to debug and produce. There fore they have got first-hand practical data and combined domestic and abroad advanced technology and improved and perfected the equipment. Till the third generation, DWT series dryer for vegetables dehydration has been developed. we are making advanced productive equipment for customers, according to the characteristics of raw materials too be dried and the process requirements of customers and combined the accumulated experience for more ten years, we have made the most suitable and the dryer for vegetables dehydration too supply customers. The series equipment had won CNP, its patent number is.

应用 Application

- ◇ 能满足根、茎、叶类条状、块状、片状、大颗粒等蔬菜物料的干燥和大批量连续生产, 同时能最大限度的保留产品的营养成分及颜色等。
- ◇ 干燥的典型物料有: 蒜片、南瓜、胡萝卜、魔芋、山药、竹笋、辣根、洋葱、苹果等。

- ◇ It can meet to dry different vegetables such as, root, halm, leaf, tuberos root, big granule and produce in batch. Meanwhile it can maintain content of nutrition, color, etc of vegetable in most extent.
- ◇ The type raw materials are garlic, cushaw, giantarum, white turnip, yam, bamboo shoot, capsicum, onion, apple, etc.

工艺流程 Technological process



DWT Series Dryer for Vegetable Dehydration

颜料、染料专用带式干燥机



概述 Description

颜料带式干燥机是适用成批生产用的连续干燥设备, 专业用于颜料行业的各种物料烘干, 成功的替代以前采用烘箱干燥的工艺。该机的适用范围广, 烘干后的产品质量指标较高, 而且大大的节约人力、物力和能源, 为干燥颜料实现自动化, 连续化跨进了步伐, 是一种新颖、高效、节能型干燥机。

Pigment belt drier is continuous drying equipment suitable for mass production, professional for a variety of material drying paint industry, successful alternative before by oven drying process. The scope of application of the machine is wide, the quality indexes of the product is high after drying, but also greatly save manpower. Material and energy for drying paint, automation, continuous stepped pace, is a novel efficient. Energy saving type dryer.

PLG Series Continual Plate Dryer PLG 系列盘式连续干燥机



概述

盘式连续干燥机是一种高效的传导型连续干燥设备, 其独特的结构和工作原理决定了它具有热效率高、能耗低、占地面积小、配置简单、操作控制方便、操作环境好等特点。广泛适用于化工、医药、农药、食品、饲料、农副产品加工等行业的干燥作业。在各行业使用实践中深受好评。可分为常压、密闭、真空三大类型; 1200、1500、2200、3000等各种规格; A(碳钢)、B(接触物料部分不锈钢), C在B的基础上, 增加蒸汽管路、主轴及支架为不锈钢, 筒体和顶盖内衬不锈钢)三种材质, 干燥面积4-180m², 共几百种型号的系列产品, 并能提供与之相配套的辅助设备, 可满足用户对各种物料进行干燥的需要。

Description

PLG Series Continual Plate Dryer is a kind of high effective conducting and continual drying equipment. Its unique structure and operating principle determine that it has advantages of high heat efficiency, low energy consumption, small occupying area, simple configuration, easy operating and control as well as good operating environment etc. It can be widely used in drying process in the fields of chemical industry, pharmaceuticals, agricultural chemicals, foodstuff, fodder, process of agricultural and sideline products etc, and is well received by various sectors in their practical usage. Now there are three big categories, named normal pressure, closed and vacuum styles; 1200, 1500, 2200 and 3000 sizes and so on; and three kinds of materials, namely A(carbon steel), B(stainless steel used for those all parts where materials are contacted and C(on the basis of B to add stainless steel materials for vapor pipes, main shaft and support, and stainless steel linings for cylinder body and top cover). With a drying area being from 4 to 180 square metres, now we have hundreds of models of series products and various kinds of auxiliary devices available to meet requirements of drying materials for customers.

应用

该干燥设备主要应用于医学中间体、农药、化工、医药、食品、饲料等行业粉体物料的干燥、冷却。

(一)有机化工: 聚氯乙烯树脂、聚四氟乙烯树脂、反丁烯二酸、蒽醌、硝基蒽醌、对氨基苯酚、三聚氰胺、氰尿酸、对氨基苯磺酸、抗氧化剂168、色酚AS、硬脂酸盐、苯胺、硝基苯胺、双季戊四醇、氯化石蜡、甲酸钙、三乙烯二胺、苯亚磺酸钠、间苯二甲酸、二甲酯五磺酸钠、硫脲、油溶性苯胺黑染料、酸性黑染料等有机化工原料和中间体。

(二)无机化工: 轻质碳酸钙、活性碳酸钙、纳米级超细碳酸钙、碳酸镁、氢氧化铝、白炭黑、碳酸锶、碳酸钡、碳酸钾、立德粉、保险粉、硫酸钾、微球催化剂、氢氧化镁、硫酸铜、硫酸镍、镍酸铵、钼酸钠、氯化钠、氯化钾、氯化钙、氟化钠、冰晶石、氧化铁红、氧化铁黄、氢氧化锂、氢氧化镍、氢氧化钴、碳酸钙、硫磺等。

(三)医药、食品: 氨苄青霉素、邓盐、左旋苯甘氨酸及中间体、头孢氨噻、头孢三嗪、安乃近、西咪替丁、维生素B、维生素C、药用偏硅酸镁、咖啡因、茶、花提取物、银杏叶、巧克力粉、淀粉、玉米胚芽芽等原料药及医药中间体。

(四)饲料、肥料: 碳酸钾、生物钾肥、蛋白饲料、饲料用金霉素、麸皮、酒糟、粮食、除草剂、纤维素、饲料磷酸氢钙等。

Application

It is specialized for drying and cooling powder materials like medicine, agriculture medicine, chemical industry, foodstuff, feedstuff and so on.

(1) Organic chemical industry: Polyvinyl chloride, teflon resin, fumaric acid, anthraquinone, nitroanthraquinone, amino phenol, melamine, cyanogen uric acid, amino benzene xanthogenic acid, antioxidant 168, color phenol AS, stearate, aniline, nitrophenylamine, double pentaerythritol, chlorination paraffin wax, calcium formate, three ethylene diamidogen, benzene sulfonic acid sodium, benzene m. dicarboxylic acid, dimethyl ester pentathionic acid sodium, thiourea, oil soluble aniline black dyestuffs, erie black dye and so on organic industrial chemicals and intermediate.

(2) Inorganic chemical industry: Light quality calcium carbonate, active calcium carbonate, nanometer level superfine calcium carbonate, magnesium carbonate, aluminum hydroxide, white carbon black, strontium carbonate, barium carbonate, carbonic acid armor, lithopone, insurance powder, potassium sulfate, microballoons catalyst, magnesium hydroxide, cupric sulfate, nickel sulfate, nickel sour ammonium, sodium molybdate, sodium chloride, potassium chloride, calcium chloride, sodium fluoride, cryolite, oxidized iron oxide red, lithium hydroxide, nickelous hydroxide, zirconium hydroxide, calcium carbonate, sulfur and so on.

(3) Medicine, food: Ammonia animal penicillin, Deng Yan, laevo-rotatory benzenic glycine and intermediate, spore ammonia sai, spore three qin, An Najin, west on amot for bulk drugs and medicine intermediate and so on Ding, Vitamin b, Vitamin c, for medicinal purposes leaning magnesium silicate, caffeine, tea, flowered extraction, ginkgo leaf, chocolate powder, starch, corn embryo tooth bud.

(4) Feed, fertilizer: The potassium carbonate, the biological potassium fertilizer, the protein feed, the feed use the aureomycin, the bran, the distiller's grain, the grain, the weed killer, the cellulose, the feed calcium hydrogen phosphate and so on.

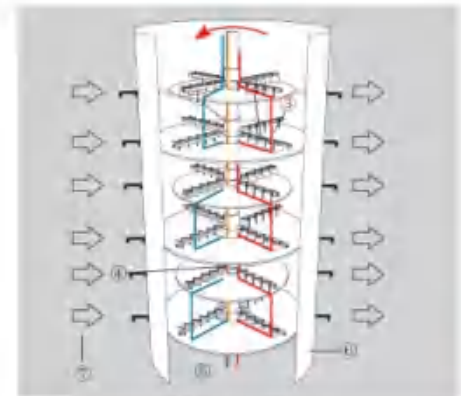
PLG Series Continual Plate Dryer PLG 系列盘式连续干燥机

特点

- (一) 调控容易、适用性强
1. 通过调整料层厚度、主轴转速、耙臂数量、耙叶型式和尺寸, 使干燥过程达到最佳。
 2. 每层干燥盘皆可通入热介质或冷介质, 对物料进行加热或冷却, 物料受热均匀, 温度控制准确、容易。
 3. 物料的停留时间可以精确调整。
 4. 物料流向单一, 无返混现象, 干燥均匀、质量稳定、不需再混合。
- (二) 操作简单、容易
1. 干燥器的开车、停车操作非常简单。
 2. 停止进料后, 传送物料的耙叶能很快地排空干燥器内的物料。
 3. 通过特殊的大规格检视门的视镜, 可以对设备内进行很仔细的清洗和观察。
- (三) 能耗低
1. 料层很薄, 主轴转速低, 物料传送系统需要的功率小、电耗少。
 2. 以传导热进行干燥, 热效率高, 能量消耗低。
- (四) 操作环境好, 可回收溶剂, 粉尘排放符合要求
1. 常压型: 由于设备内气流速度低, 而且设备内湿度分布上高下低, 粉尘很难浮到设备顶部, 所以顶部排湿口排出的尾气中几乎不含有粉尘。
 2. 密闭型: 配备溶剂回收装置, 可方便地回收在湿气体中的有机溶剂。溶剂回收装置简单, 回收率高, 对于易燃、易爆、有毒和易氧化的物料, 可用氮气作为载湿气体进行闭路循环, 使之安全操作。特别适用于易燃、易爆、有毒物料的干燥。
 3. 真空型: 在真空状态下操作的盘式干燥器, 特别适用于热敏性物料的干燥。
- (五) 安装方便, 占地面积小
1. 干燥器整体出厂, 整体运输, 只需吊装就位, 安装定位非常容易。
 2. 由于干燥盘层式布置、立式安装, 即使干燥面积很大, 占地面积也很小。

Features

- (1) Easy control, wide application.
1. Regulate thickness of materials, rotating speed of main shaft, number of harrow's arm, style and sizes of harrows achieve best drying process.
 2. Each layer of drying plate can be fed with hot or cold media individually to heat or cold materials and make temperature control accurate and easy.
 3. Dwell time of materials can be accurately adjusted.
 4. Single flowing direction of materials without return flowing and mixing, uniform drying and stable quality, no re-mixing is required.
- (2) Easy and simple operation.
1. Start stop of dryer is quite simple.
 2. After material feeding is stopped, they can be easily discharged out of the dryer by harrows.
 3. Careful cleaning and observation can be carried inside the equipment through large-scale viewing windows.
- (3) Low energy consumption.
1. Thin layer of materials, low speed of main shaft, small power and energy required for conveying system of materials.
 2. Dry by conducting heat so it has high heating efficiency and low energy consumption.
- (4) Good operation environment, solvent can be recovered and powder discharge meet the requirements of exhaust.
1. Normal pressure type: as low speed of air flow inside the equipment and moisture being high in upper part and low in lower part, dust powder couldn't float to the equipment, so there is almost no dust powder in tail gas discharged from the moist discharge part on the top.
 2. Closed type: equipped with solvent recovery device that can recover organic solvent easily from moist-carrier gas. The solvent recovery device has simple structure and high recovery rate, and nitrogen can be used as moist-carrier gas in closed circulation for those subject to burning, explosion and oxidation, and poisonous materials in order for safe operation. Especially suitable for drying of flammable, explosive and poisonous materials.
 3. Vacuum type: if the plate dryer is operating under vacuum state, it is particularly suitable for drying heat sensitive materials.
- (5) Easy installation and small occupying area.
1. As the dryer is in a whole for delivery, it is quite easy to install and fix at site only by hoisting.
 2. As drying plates being arranged by layers and installed vertically, it takes a small occupying area though drying area is large.



- | | |
|-----------------------------|--|
| 1. 湿物料
Lukewarm material | 5. 主轴
Spindle |
| 2. 耙臂
Trailing arm | 6. 外壳
Shell |
| 3. 耙叶
Rake leaves | 7. 加热或冷却介质
Heating and cooling medium |
| 4. 干燥盘
Rake leaves | |



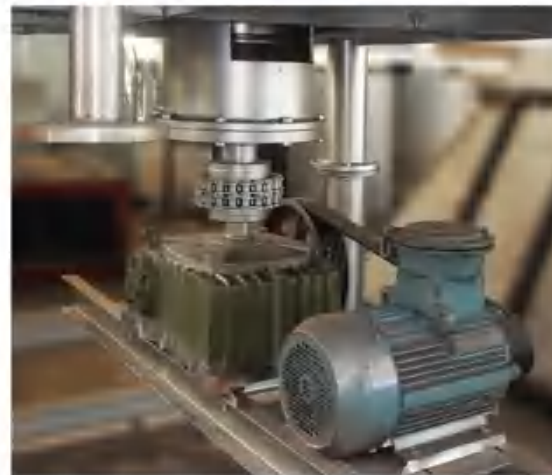
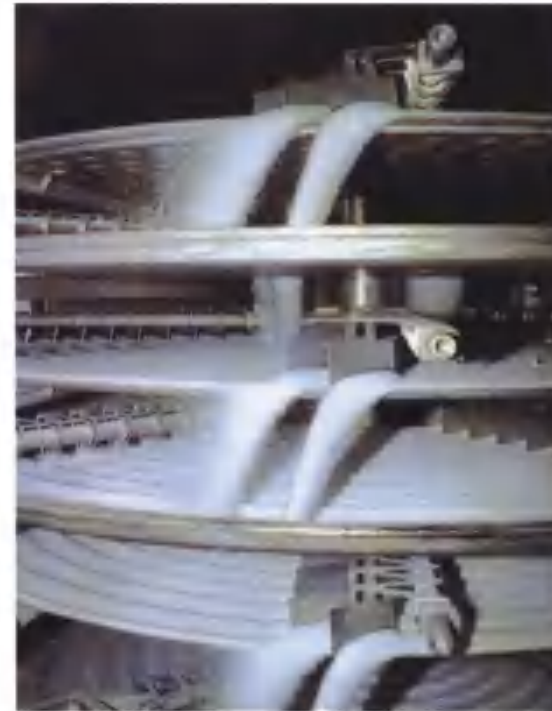
PLG Series Continual Plate Dryer PLG 系列盘式连续干燥机

技术特性

- (一) 干燥盘
- 1.设计压力: 一般为0.4MPa, 最大可达1.6MPa。
 - 2.最高使用压力: 一般≤0.4MPa, 最高可达1.6MPa。
 - 3.加热介质: 蒸汽、热水、导热油, 干燥盘温度100°C时使用热水加热, 100°C~150°C时用≤0.4MPa饱和水蒸汽或者过热蒸汽加热, 150°C~320°C时用导热油加热。
- (二) 物料传送系统
- 1.主轴转速: 1~10转分, 电磁或变频无极调速。
 - 2.耙臂: 每层干燥盘上有2~8支固定在主轴上的耙臂。
 - 3.耙叶: 绞接在耙臂上, 能随盘面上下浮动保持接触, 有多种形式。
 - 4.碾滚: 对易结块和需要粉碎的物料, 在适当位置配加碾滚, 可以强化传热和干燥过程。
- (三) 壳体
- 有常压、密闭、真空三种型式
- 1.常压型: 圆筒或八棱柱型, 有整体和对开两种结构。加热介质进出口主管道可以在壳体内, 也可以在壳体外。
 - 2.密闭型: 圆筒型壳体, 能承受5Kpa内压, 加热介质进出口主管道可以在壳体内, 也可以在壳体外。
 - 3.真空型: 圆筒型壳体, 设计压力为-0.096Mpa, 加热介质进出口主管道在壳体内。
- (四) 空气加热器
- 一般在配置引风机时使用, 以防潮湿的空气进入主机影响干燥效果。

Features of Technology

1. Drying plate
- (1) Designing pressure: general is 0.4MPa, Max. can reach 1.6 Mpa.
 - (2) Work pressure: general is less than 0.4Mpa, and Max. can reach 1.6 Mpa.
 - (3) Heating medium: steam, hot water, oil. When the drying plates' temperature is 100°C, hot water can be used; when 100°C~150°C, it will be saturated water steam ≤0.4Mpa or steam-gas, and when 150°C~320°C, it will be oil.
2. Material transmission system
- (1) Main shaft revolution: 1~10 rpm, electromagnetism or frequency stepless speed regulating.
 - (2) Harrow arm: There are 2 to 8 pieces arm that be fixed on the main shaft on each layer.
 - (3) Harrow's blade: Spliced on the harrow arms, float together with the surface of the plate to keep contact. There're various of types.
 - (4) Roller: for the products easily agglomerate, or with the requirements of grinding, the heat transfer and drying process might be reinforced by placing roller(s) at the appropriate place(s).
3. Shell
- There're three types for option: normal pressure, sealed and vacuum
- (1) Normal pressure: Cylindrical shell or eight prismatic type, with whole body and split structure. The main pipes of inlets and outlets of heating medium can be inside the shell, or outside the shell.
 - (2) Sealed: Cylindrical shell, could bear the interior pressure of 5KPa, the main ducts of the inlet and outlet of heating media might be inside of the shell or outside.
 - (3) Vacuum: Cylindrical shell, could bear the exterior pressure of -0.096MPa. The main ducts of inlet and outlet is inside of the shell.
4. Air heater:
- Normal used with the application of draft fan, incase the wet air enters, to increase drying efficiency.



PLG Series Continual Plate Dryer PLG 系列盘式连续干燥机

原理

湿物料自加料器连续地加到干燥器上部第一层干燥盘上, 带有耙叶的耙臂作回转运动, 使耙臂连续地翻抄物料。物料沿指数螺旋线流过干燥盘表面, 在小干燥盘上的物料被移送到外缘, 在大干燥盘上的物料向里移动并从中间落料口落入下一层小干燥盘中。大小干燥盘上下交替排列, 物料得以连续地流过整个干燥器。中空的干燥盘内通入加热介质, 加热介质形式有饱和蒸汽、热水和导热油, 加热介质由干燥盘的一端进入, 从另一端导出。已干物料从最后一层干燥盘落到壳体的底层, 最后被耙叶推送到出料口排出。湿汽从物料逸出, 由设在顶盖上的排湿口排出, 真空型盘式干燥器的湿汽由设在顶盖上的真空泵口抽出。从底层排出的干物料可直接包装。通过配加翅片加热器、溶剂回收冷凝器、袋式除尘器、干料返混机构、引风机等辅机, 可提高其干燥的生产能力, 干燥膏糊状和热敏性物料, 可方便地回收溶剂, 并能进行热解和反应操作。

Principle

Wet materials are fed continuously to the first drying layer on the top of the dryer. They will be turned and stirred by harrow arms when the arm rotates and drop down to the outer edge of the large drying plate along the exponential helical line. On the small drying plate they will be moved to its outer edge and drop down to the outer edge of the large drying plate underneath, and will be moved inward and drop down from its central hole to the small drying plate on the next layer. Both small and large drying plates are arranged alternately so as materials can go through the whole dryer continuously. The heating media, which could be in forms of saturated steam, hot water or heat conducting oil will be led into hollow drying plates from one end to the other end of the dryer. The dried materials will drop from the last layer of the drying plate to the bottom layer of the shell body, and will be moved by rakes to the discharge port. The moisture escapes from materials and will be removed from the moist discharge port on the top cover, or sucked out by the vacuum pump on the top cover for vacuum-type plate dryer. The dried materials discharged from the bottom layer can be packed directly. The drying capability can be raised up if equipped with supplementary devices such as finned heater, condenser for solvent retrieval, bag dust remover, return and mix mechanism for dried materials and drawing fan etc. Solvent in those dried paste and heat sensitive materials can be easily retrieved, and thermal decomposition and reaction can be also carried out.

技术参数 Technical parameters

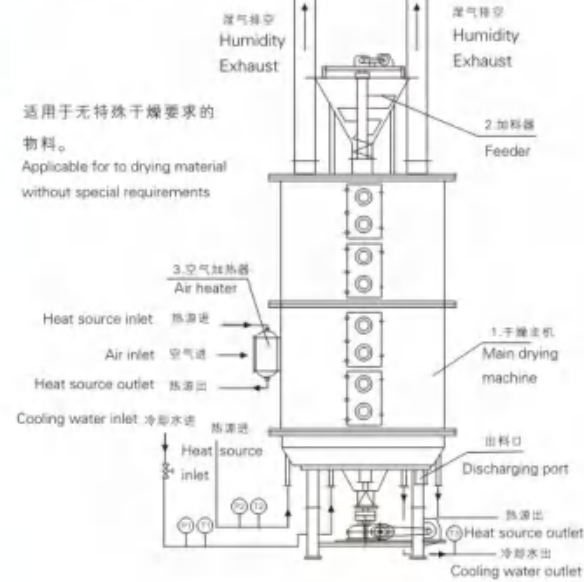
规格 Type	外径 Diameter (mm)	高度 High (mm)	干燥面积 Area of dry (m ²)	功率 Power (Kw)
1200/4	1850	2608	3.3	1.1
1200/6		3028	4.9	
1200/8		3448	6.6	
1200/10		3868	8.2	
1200/12	2100	4288	9.9	1.5
1500/6		3022	8.0	
1500/8		3442	10.7	
1500/10		3862	13.4	
1500/12	2900	4282	16.1	3.0
1500/14		4702	18.8	
1500/16		5122	21.5	
2200/6		3262	18.5	
2200/8	2900	3682	24.6	3.0
2200/10		4102	30.8	
2200/12		4522	36.9	
2200/14		4942	43.1	
2200/16	2900	5362	49.3	5.5
3000/8		4050	48	
3000/10		4650	60	
3000/12		5250	72	
3000/14	3800	5850	84	11
3000/16		6450	96	
3000/18		7050	108	
3000/20		7650	120	
3000/22	2900	8250	132	13
3000/24		8850	144	
3000/26		9450	156	
3000/28		10050	168	
3000/30	2900	10650	180	15

注: 部分参数设计时视不同物料有所调整, 以设计为准。

PLG Series Continual Plate Dryer PLG 系列盘式连续干燥机

流程图 Flow chart

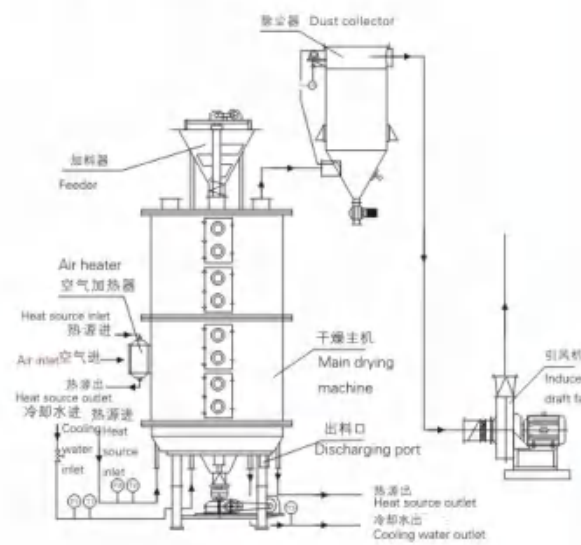
工艺流程图 1
Flow chart 1



适用于无特殊干燥要求的物料。
Applicable for to drying material without special requirements

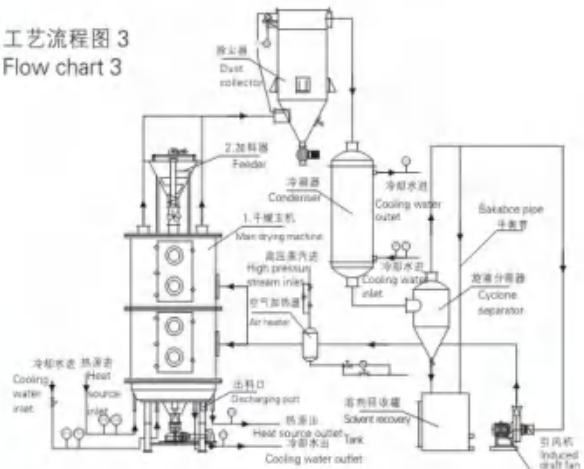
备注: 一般在蒸发量较大的情况下才配备空气加热器, 以增大干燥效率。
Remarks: to enhance drying efficiency, air heater is normally applied for high evaporation capacity

工艺流程图 2
Flow chart 2



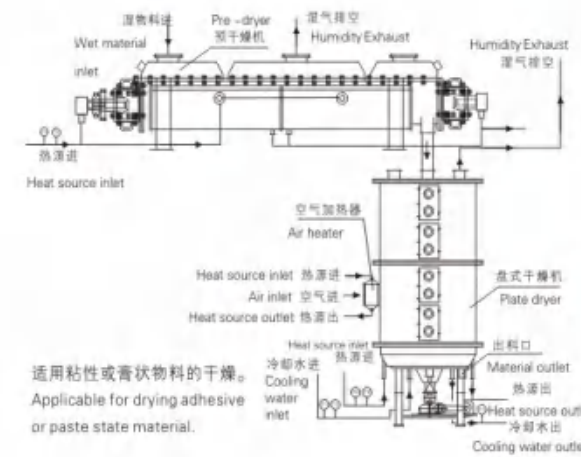
适用于干燥物的粉末需要回收或具有一定的有害粉末。
Applicable for drying material with requirement of power recovery or the powder is toxic

工艺流程图 3
Flow chart 3



适用于对干燥过程中所蒸发出来的溶剂进行回收或是对干燥用气体要求不能外泄的情况。
Applicable for the drying process with solvent recovery or without leakage of evaporated gas.

工艺流程图 4
Flow chart 4



适用粘性或膏状物料的干燥。
Applicable for drying adhesive or paste state material.

PZG Series Vacuum Plate Dryer PZG 系列真空盘式干燥机

概述 Description

物料加入真空型盘式干燥机, 由于物料在真空状态下沸点降低并随着耙叶的不断翻炒, 物料表面不断更新, 从而大大加快了干燥速率, 湿空气由真空泵抽出。此型设备主要针对热敏性、有毒性、易氧化或需溶剂回收物料的干燥。

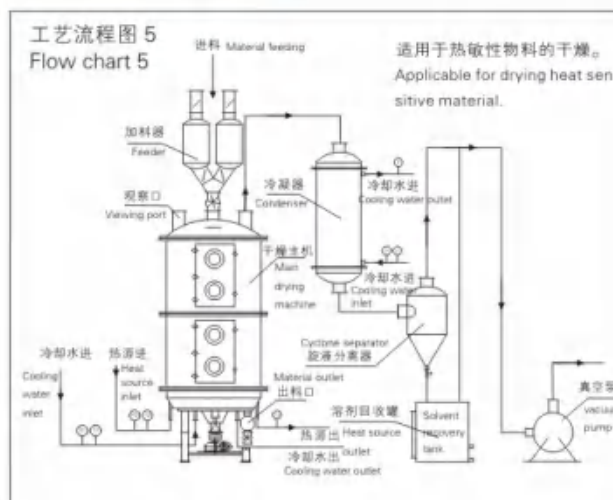
Material feeds into vacuum disk type drier. Because boiling point of material will fall under the state of vacuum and along with the paddle turning over continuously, the surface of material will be changed continuously. Therefore it speeds up drying rate greatly. The wet air will be pumped by vacuum pump. This equipment is mainly used for drying heat sensitive material, toxic material, material that is easy to oxidize or needs to recover solvent.

特点 Features

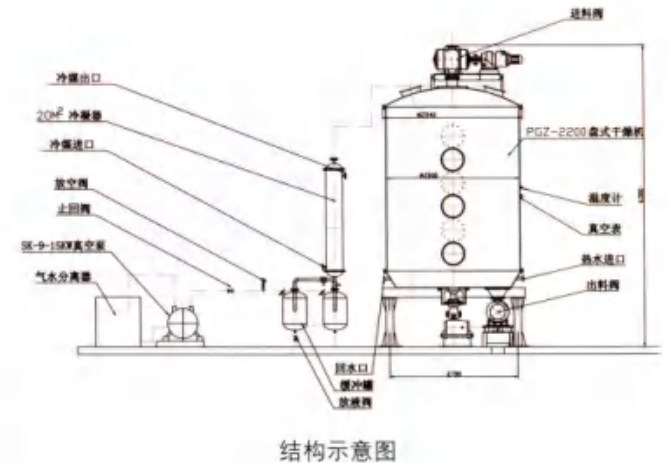
- ◇ 在真空状态下, 保持物料连续或半连续进、出料。
- ◇ 密闭型操作, 特别适用于有毒物料或易氧化物料的干燥。
- ◇ 可方便地回收载湿气体中的有机溶剂。
- ◇ 能耗低、效率高、安全方便、物料不易污染。
- ◇ Under the state of vacuum, can keep material to feed and discharge continuously.
- ◇ Closed operation, particularly it is suitable for drying material that has toxicity or is easy to oxidize.
- ◇ It is very convenient to recover organic solvent in wet gases.
- ◇ Low energy consumption, high efficiency, safe and convenient, material is not easy to pollute.

流程图 Flow chart

工艺流程图 5
Flow chart 5



适用于热敏性物料的干燥。
Applicable for drying heat sensitive material.



结构示意图

KJG Series Hollow Blade Dryer KJG 系列空心桨叶干燥机



本公司在吸收国内外先进技术的基础上, 进行改进、优化设计的楔形空心桨叶干燥机, 可对膏状、颗粒状、粉状、浆状物料间接加热或冷却, 可完成干燥、冷却、加热、灭菌、反应、低温煅烧等单元操作。设备中特殊的楔形搅拌传热桨叶, 具有较高的传热效率和传热面自清洁功能。

Our company by absorbing foreign advanced technology, based on to improve and optimize the design of the wedge-shaped hollow paddle dryer can treat paste, granular, powder, paste material through indirect heating or cooling, to achieve drying, cooling, heating, sterilization, reaction, low temperature calcination and other unit operations. Wedge-shaped mixing device in a special heat transfer blade, has a high heat transfer efficiency and heat transfer surface self-cleaning function.



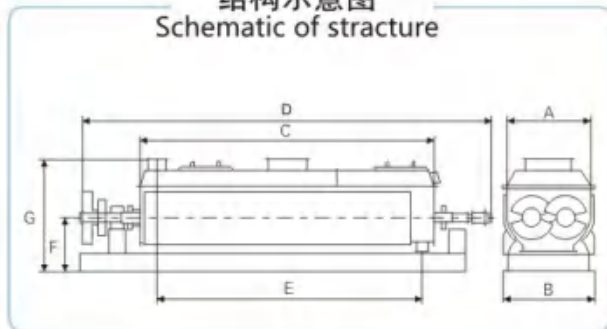
概述

空心轴上密集排列着楔形中空桨叶, 热介质经空心轴流经桨叶。单位有效容积内传热面积很大, 热介质温度从-40℃到320℃, 可以是水蒸汽, 也可以是液体; 如热水、导热油等。间接传导加热, 没有携带空气带走热量, 热量均用来加热物料。热量损失仅为通过壳体保温层向环境的散热。楔形桨叶传热面具有自清洁功能。物料颗粒与楔形面的相对运动产生洗刷作用, 能够洗刷掉楔形面上附着物料, 使运转中一直保持着清洁的传热面。桨叶干燥机的壳体为W型, 壳体内一般安排二到四根空心搅拌轴。壳体有密封端盖与上盖, 防止物料粉尘外泄及收集物料溶剂蒸汽。出料口处设置一挡板, 保证料位高度, 使传热面被物料覆盖而充分发挥作用。热介质通过旋转接头, 流经壳体夹套及空心搅拌轴, 空心搅拌轴依据热介质的类型而具有不同的内部结构, 以保证最佳的传热效果。

Description

Densely lined with wedge-shaped hollow shaft hollow blades, heat medium through the hollow axial flow through blades. Unit effective volume of a very large area of heat transfer, heat medium temperature from -40 °C to 320 °C, can be water vapor, may also be liquid-type: such as water, oil and so on. Indirect conduction heating, the air does not carry away the heat, the heat are used to heat materials. Only through the device body heat loss to the environment, heat insulation layer. Wedge-shaped blades with self-cleaning heat transfer surfaces. Wedge-shaped surface material particles and scrubbing effect relative movement, to wash away the wedge surface material attachments, so in operation have maintained a clean heat transfer surfaces. Blade dryer for the W-type shell, the shell of the general arrangements for 2-4 hollow stirring shaft. Shell with a sealed cover with the cover to prevent dust leakage and collection of materials, solvent vapor materials. Set out and exit pull a block, to ensure a high degree of material level, so that heat transfer surface is covered with fully materials. Heat medium through the rotary joint, passing through the shell jacket and the hollow stirring shaft, hollow shaft stirring according to the type of thermal media have different internal structures to ensure the best heat transfer.

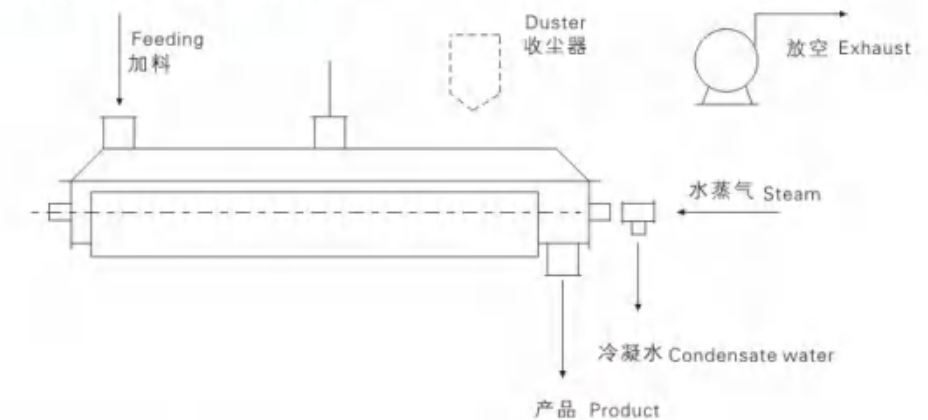
结构示意图 Schematic of structure



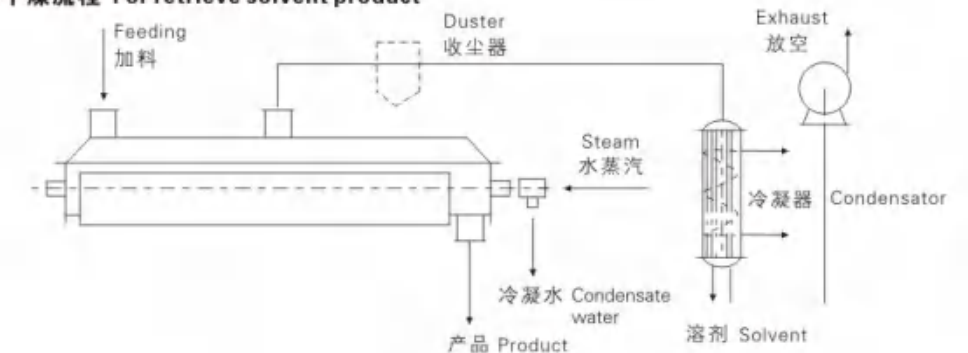
KJG Series Hollow Blade Dryer KJG 系列空心桨叶干燥机

流程图 Flow chart

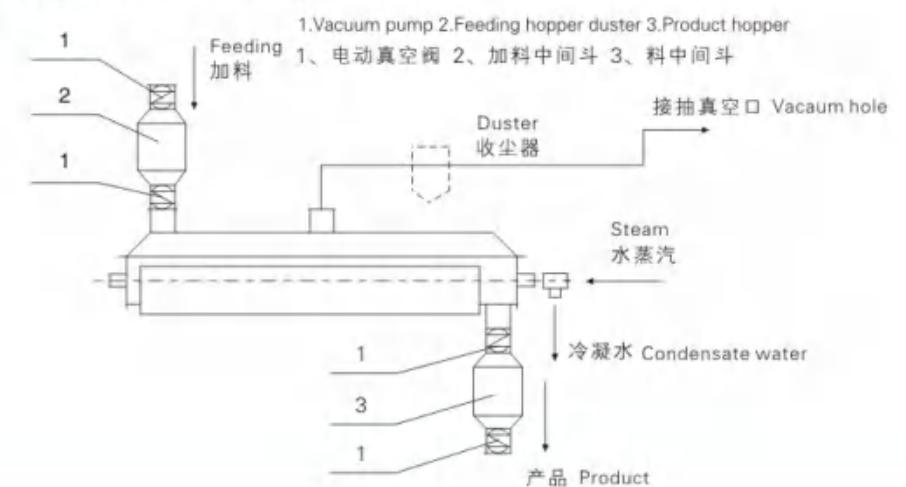
通用产品干燥流程 For drying process



回收溶剂干燥流程 For retrieve solvent product



抽真空干燥流程 For vacaum drying



KJG Series Hollow Blade Dryer KJG 系列空心桨叶干燥机

应用

桨叶干燥机已成功地用于食品、化工、石化、染料、工业污泥等领域。设备传热、冷却、搅拌的特性使之可以完成以下单元操作：煅烧（低温）、冷却、干燥（溶剂回收）、加热（融化）、反应和灭菌。搅拌桨叶同时又是传热面，使单位有效容积内传热面积增大，缩短了处理时间。模型桨叶传热面又具有自清洁功能。压缩—膨胀搅拌功能使物料混和均匀。物料沿轴向成“活塞流”运动，在轴向区间内，物料的温度、湿度、混合度梯度很小。

- 用导热油做热介质，桨叶干燥机可完成低温煅烧工作。如：二水硫酸钙（ $\text{Ca}_2\text{SO}_4 \cdot 2\text{H}_2\text{O}$ ）煅烧转化为半水硫酸钙（ $\text{Ca}_2\text{SO}_4 \cdot 1/2\text{H}_2\text{O}$ ）。碳酸氢钠（ NaHCO_3 ）经煅烧转化为纯碱（ Na_2CO_3 ）等。
- 通入冷却介质，如水、冷却盐水等即可用来冷却。如：用于纯碱行业的桨叶式凉碱机，取代老式的空气冷却凉碱机，节省了能源及尾气处理设备，降低了操作费用，还可用于钛白粉、镍铁合金粉及各种粉粒状物料的冷却。在单台机里可以将物料从1000℃冷却到小于40℃。
- 干燥设备最主要的功能，不使用热空气，使溶剂回收、能源消耗、环境控制处于易处理的理想状态。对需回收溶剂、易燃易爆氧化热敏性物料尤为适应。已广泛用于精细化工、石化、染料行业。
- 轴向区间内，温度、湿度、混合度的均匀性，使得设备可以用来加热或融化，或进行一些固体物料反应。在复合肥及变性淀粉行业均已成功使用。桨叶干燥机可用来对食物和面粉进行灭菌处理。单位有效容积内大的加热面积，很快就将物料加热到灭菌温度，避免了长时间加热而改变物料品质。

适应物料

石化行业：聚乙烯粉体、聚碳酸酯树脂、高、低密度聚乙烯、线型低密度聚乙烯、聚醚醚颗粒、尼龙6、尼龙66、尼龙12、醋酸纤维、聚苯硫醚、丙烯酸树脂、工程塑料、聚氯乙烯、聚乙烯醇、聚苯乙烯、聚丙烯、聚脂、聚甲醛、苯乙烯-丙烯腈共聚、乙烯-丙烯共聚。

环保行业：PTA污泥、电镀下水污泥、锅炉烟灰、制药厂废渣、糖厂废渣、味精厂废渣、煤灰。

饲料行业：酱油渣、骨基饲料、酒糟、食品下角料、苹果渣、橘子皮、豆粕、鸡骨饲料、鱼粉、饲料添加剂、生物渣泥。

食品行业：淀粉、可可豆、玉米粒、食盐、变性淀粉、药品。

化工行业：纯碱、氮磷钾复合肥、高岭土、膨润土、白炭黑、碳黑、磷石膏、氧化氟化钠、氧化铁黄、硝酸钙、碳酸镁、氟化钠、氢氧化铝、硫酸钡、硫酸钙、碳酸钙、染料、分子筛、皂素。

Application

Blade dryer has been successfully used in food, chemical, petrochemical, dye, industrial sludge and other fields. Heating, cooling, mixing features make it to complete the following unit operations: calcination (low temperature), cooling, drying (solvent recovery), heating (melting), response and sterilization. Mixing blades at the same time the heat transfer surface, the effective volume per unit area of heat transfer increases, reducing the processing time. Heat transfer surfaces in wedge-shaped blades with self-cleaning function. Compression -

Expansion mixing features make the material mixed uniformly. Material along the axis into a "plug flow" movement, in the axial zone, the material temperature, humidity, mixing a very small degree of gradient.

● Conducting oil to do with the heat medium, blade dryer to complete the work of low-temperature calcination. Such as: calcium sulfate dehydrate ($\text{Ca}_2\text{SO}_4 \cdot 2\text{H}_2\text{O}$) calcined into calcium sulfate hemihydrate ($\text{Ca}_2\text{SO}_4 \cdot 1/2\text{H}_2\text{O}$). Sodium bicarbonate (NaHCO_3) into calcined soda (Na_2CO_3) and so on.

● Pass into the cooling medium, such as water, salt, etc. can be used to cooling. Such as: use of soda ash industry in blade-type cooler base machine to replace the old air-cooled cooler base machine, saving energy and exhaust gas processing equipment, lower operating costs, but also for titanium, nickel alloy powder and all kinds of powder granular materials cooling. On a single machine where the material can be cooled from 1000 °C to less than 40 °C.

● Dry, the main function of equipment, do not use hot air to solvent recovery, energy consumption, environmental control is easy to deal with the ideal state. On the need to recover solvents, heat-sensitive materials, particularly flammable adapt easily oxidized. Has been widely used in fine chemical, petrochemical, dye industry.

● Axial range, temperature, humidity, mixing degree of uniformity, so equipment can be used to heating or melting, or some solid material response. In the compound and modified starch industries have been successfully used. Blade dryer can be used to carry out sterilization of food and flour. Unit effective volume with a large heating area, will heat the material to sterilization temperature, to avoid prolonged heating change the quality of materials.

Adaptation of materials

Petrochemical industry: polyolefin powder, polycarbonate resin, high and low density polyethylene, linear low density polyethylene, polyacetal particles, nylon 6, nylon 66, nylon 12, cellulose acetate, polyphenylene sulfide, propylene base resin, engineering plastics, polyvinyl chloride, polyvinyl alcohol, polystyrene, polypropylene, polyester, polyoxymethylene, styrene - Acrylonitrile, ethylene propylene copolymer -.

Environmental protection industry: PTA sludge, electroplating sludge into the water, boiler ash, pharmaceutical waste, sugar residue, glutamate factory waste, coal ash.

Feed industry: soy sauce residue, bone-based feed, grains, food scraps, apple, orange peel, soybean meal, chicken feed, fish meal, feed additives, bio-sludge.

Food industry: starch, cocoa beans, corn kernels, salt, modified starch, pharmaceuticals.

Chemical industry: soda ash, NPK fertilizer, kaolin, bentonite, white carbon black, carbon black, phosphorus gypsum, oxidation of sodium fluoride, calcium nitrate, magnesium carbonate, sodium cyanide, aluminum hydroxide, barium sulfate, sulfuric acid, calcium carbonate, dyes, molecular sieve, saponin.

KJG Series Hollow Blade Dryer KJG 系列空心桨叶干燥机

特点

- 桨叶干燥机能耗低：由于间接加热，没有大量携带空气带走热量，干燥器外壁又设置保温层，对浆状物料，蒸发1kg水仅需1.22kg水蒸汽。
- 桨叶干燥机系统造价低：单位有效容积内拥有巨大的传热面，就缩短了处理时间，设备尺寸变小。就极大地减少了建筑面积及建筑空间。
- 处理物料范围广：使用不同热介质，既可处理热敏性物料，又可处理需高温处理的物料。常用介质有：水蒸汽、导热油、热水、冷却水等。既可连续操作也可间歇操作，可在很多领域应用。
- 环境污染小：不使用携带空气，粉尘物料夹带很少。物料溶剂蒸发量很小，便于处理。对有污染的物料或需回收溶剂的工况，可采用闭路循环。
- 操作费用低：该设备正常操作，仅1-2人/天。低速搅拌及合理的结构。磨损量小，维修费用很低。
- 操作稳定：由于楔型桨叶特殊的压缩—膨胀搅拌作用，使物料颗粒充分与传热面接触，在轴向区间内，物料的温度、湿度、混合度梯度很小，从而保证了工艺的稳定性。

技术参数 Technical parameters

型号/项目	KJG-3	KJG-9	KJG-13	KJG-18	KJG-29	KJG-41	KJG-52	KJG-68	KJG-81	KJG-95	KJG-110
传热面积 m^2	3	9	13	18	29	41	52	68	81	95	110
有效容积 m^3	0.06	0.32	0.59	1.09	1.85	2.8	3.96	5.21	6.43	8.07	9.46
转速范围rpm	15-30	10-25	10-25	10-20	10-20	10-20	10-20	10-20	5-15	5-15	5-10
功率kw	2.2	4	5.5	7.5	11	15	30	45	55	75	95
箱体宽A mm	306	584	762	940	1118	1296	1474	1652	1828	2032	2210
总宽B mm	736	841	1066	1320	1474	1676	1854	2134	1186	2438	2668
箱体长C mm	1956	2820	3048	3328	4114	4724	5258	5842	6020	6124	6122
总长D mm	2972	4876	5486	5918	6808	7570	8306	9296	9678	9704	9880
进出料距E mm	1752	2540	2768	3048	3810	4420	4954	5384	5562	5664	5664
中心高F mm	380	380	534	610	762	915	1066	1220	1220	1220	1220
总高H mm	762	838	1092	1270	1524	1778	2032	2362	2464	2566	2668
进汽口(寸)	3/4	3/4	1	1	1	1	1 1/2	1 1/2	1 1/2	1 1/2	2
出水口(寸)	3/4	3/4	1	1	1	1	1 1/2	1 1/2	1 1/2	1 1/2	2

Features

- Blade dryer energy consumption is low: as indirect heating, the air does not carry away a lot of heat insulation of dryer wall has, on the slurry material, evaporation of 1kg of water vapor only 1.22kg of steam.
- Blade dryer system costs low: within the effective volume of units have a large heat transfer surface, the reduced processing time, equipment size becomes smaller. Would greatly reduce the building area and building space.
- Dealing with a wide range of materials: using a different hot medium, able to deal with heat-sensitive materials can be heat-treated materials handling. Commonly used media are: water, steam, oil, hot water, cooling water. Continuous operation can also be intermittent operation can be applied in many fields.
- Environmental pollution: do not carry air, dust entrainment few materials. Solvent evaporation of material is very small, easy to handle. To have contaminated materials or be recycled solvent conditions, can be used closed circuit.
- Low operating cost: the equipment normal operation. 1-2 persons/day. Low speed and reasonable structure. Wear a small, very low maintenance costs.
- Operation stability: As the wedge-shaped blades of special compression - expansion of stirring, so that material particles sufficient surface contact with the heat transfer in the axial zone, the material temperature, humidity, mixed density gradient is very small, thus ensuring the process stability.

ZPG Series Vacuum Harrow Dryer ZPG 系列真空耙式干燥机



应用 Application

- 医药、食品、化工等行业进行以下物料干燥。
 - 适用于浆状、膏糊状、粉状物料。
 - 要求低温干燥的热敏性物料。
 - 易氧化、易爆、强刺激、剧毒物料。
 - 要求回收有机溶剂的物料。
- The materials from such as the medicine, food, chemical industry, etc. Can be dried.
 - Suitable for pulpiness, paste-like mixture or powder raw material.
 - Temperature sensing material requiring the low temperature to be dried.
 - Raw materials that are easy to oxidize or explode and have strong irritative or toxic.
 - Demand to retrieve of the organic solvent.

原理 Principle

- 本干燥设备是在引进吸收国内耙式干燥技术的基础上改进的一种新颖卧式间歇式真空干燥设备, 湿物料经传导蒸发, 带有刮板搅拌器不断清除热面上的物料, 并在容器内推移形成循环流, 水份蒸发后由真空泵抽出。
- 本公司是国内耙式干燥机最专业的生产厂家。
- It is an innovation horizontal batch-type vacuum drier improved on the basis of introduced technology of other harrow driers. The moisture of wet material will be evaporated by heat transmission. The stirrer with squeegee will remove material on hot surface and move in the container to form cycle flow. The evaporated moisture will be pumped by vacuum pump.
- Our company is specialized in producing Harrow Dryer.



技术参数 Technical parameters

项目 Item	机型 type										
名称 Name	单位 unit	ZPG-500	ZPG-750	ZPG-1000	ZPG-1500	ZPG-2000	ZPG-3000	ZPG-5000	ZPG-8000	ZPG-10000	
工作容积 Working volume	L	300	450	600	900	1200	1800	3000	4800	6000	
内筒尺寸 size in the cylinder	mm	φ600x1500	φ800x1500	φ800x2000	φ1000x2000	φ1000x2600	φ1200x2600	φ1400x3400	φ1600x4500	φ1800x4500	
搅拌转速 Stirring revolution	rpm	10-15		10	8-10		5	5	5		
功率 Power	kw	3	4	5.5	5.5	7.5	11	15	22	30	
夹层设计压力 Design pressure of jacket	MPa	<0.3									
筒内压力 Pressure in the cylinder	Mpa	-0.09 ~ -0.096									
换热面积 (筒体+耙尺)	m ²	2.4+1	3.2+1.2	4.5+1.5	5.6+1.8	7.5+2.2	9+2.5	14+3.5	21.6+5.5	24.3+5.5	

注: 水份蒸发量与物料的特性及干燥温度有关。随着产品不断更新, 有关参数变更, 恕不预先通知。
Notes: the evaporated amount of water its related to the characteristics of raw materials and the temperature of air in and air out. With renew products unceasingly, the related parameters will be exchanged, it does not announce in advance, pardon!

ZPG Series Vacuum Harrow Dryer ZPG 系列真空耙式干燥机

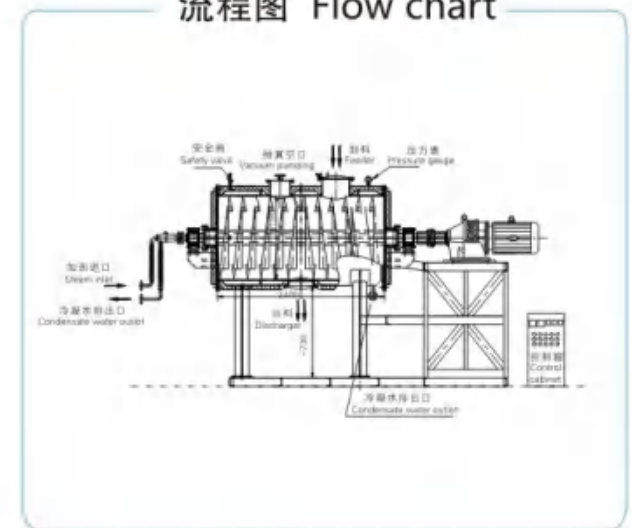
特点

- 本机采用大面积夹层加热方式, 传热面大, 热效率高。
- 本机设置搅拌, 使物料在筒内形成连续循环状态, 进一步提高了物料受热的均匀度。
- 本机设置搅拌, 从而可顺利进行浆状、膏状、糊状物料干燥。
- 特殊出料口设计, 使出料口更加密封和不容易积料, 并且出料更方便。
- 密封分机封和填料密封两种, 特殊的设计保证了密封性和使用寿命。
- 轴、耙叶的特殊加工, 大大保证了轴的强度和同心度。
- 可根据用户要求在轴内通介质和增加振击装置。
- 根据不同的物料配置不同的过滤形式。
- 5m²以上耙干机夹套采用半管式夹套。

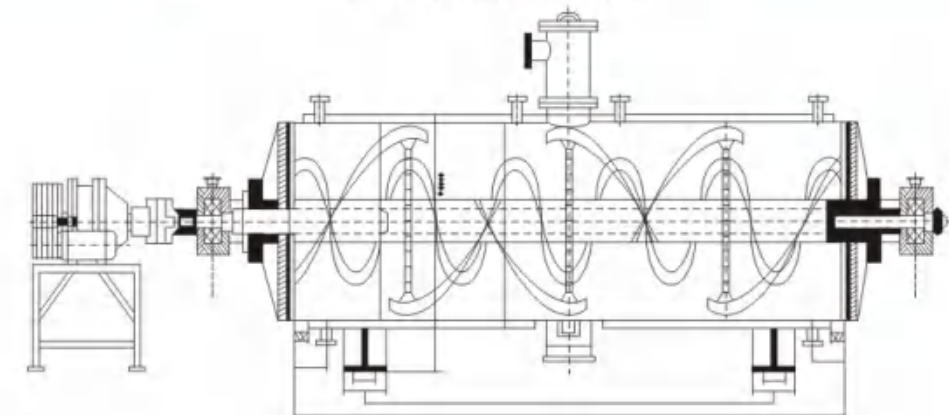
Features

- Being adapted the big area heating way, its heat conducting area is large and its heat efficiency is high.
- Being installed stirring in the machine, it makes raw material in cylinder form the state of continuous circle inside the cylinder, so the uniformity to be heated of raw material is raised greatly.
- Being installed stirring in the machine, pulpiness, paste-like mixture or powder raw materials can be dried easy.
- Special idea of discharging poet, better sealing and few material accumulating, discharge is easy.
- There are two seal model: mechanical and filling.
- The design supply good seal and long life.
- The special technics of shaft and harrow supply high strength and concentric.
- The medium in shaft and adding vibrating equipment will be equipped with requirement.

流程图 Flow chart



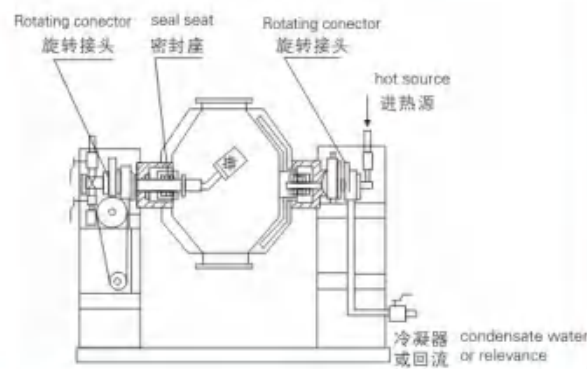
结构示意图 Schematic of structure



SZG Series Double Conical Revolving Vacuum Dryer SZG 系列双锥回转式真空干燥机



结构示意图
Schematic of structure



特点

- 油加热时, 采用自动恒温控制, 可以干燥生化制品和矿物原料, 温度可在20~160℃之间。
- 热效率高, 比一般烘箱提高2倍以上。
- 间接加热, 物料不会被污染, 符合“GMP”要求。设备维修操作简便, 易清洗。

Features

- When oil is used to heat, use automatic constant temperature control. It can be used for drying biology products and mine. Its temperature of Operation can be adjusted form 20-160℃.
- Compared to ordinal dryer, its heat efficiency will be 2 times higher.
- The heat is indirect. So the raw material can not be polluted. It is in Conformity with the requirement of GMP. It is easy in washing and Maintenance.

概述

SZG双锥回转真空干燥机是我厂在结合国内同类产品技术所开发新一代干燥装置, SZG双锥回转真空干燥机具备皮带、链条两级弹性联结方式, 因而设备运行平稳。特别设计的工装, 充分体现了两支轴的良好同心, 热媒及真空系统均采用可靠的美国技术的旋转接头。在此基础上, 我们开发了SZG-A, 它既可无级调速, 又能进行恒温控制。

作为专业干燥设备制造厂, 我们以每年百余台服务于用户, 本厂产品从高温导热油为热媒介质、中温蒸汽及低温热水一应俱全。干燥粘性物料时, 本厂将在罐内为您特别设计“抄板”机构或设置滚珠。

Description

SZG Series Conical Vacuum Dryer is a new generation drying device developed by our factory on the basis of combining the technology of similar equipment. It has two connecting ways, i.e. belt or chain. Therefore it is stable in operation. The special design guarantees two shafts realize good concentricity. Heat medium and vacuum system all adapt reliable rotating connector with the technology from USA. On this basis, we also developed SZG-A. It can carry out stepless speed change and constant temperature control.

As a professional factory in drying industry, we supply hundred sets to the customers every year. As for heat medium, it may be thermal oil or steam or hot water. For drying the adhesive raw material, we have designed specially a stirring plate buffer for you.

原理

- 在密闭的夹层中通入热能源(如热水、低压、蒸汽或导热油), 热量经内壳传给被干燥物料。
- 在动力驱动下, 罐体作缓慢旋转, 罐内物料不断地混合, 从而达到强化干燥的目的。
- 物料处于真空状态, 蒸汽压下降使物料表面的水份(溶剂)达到饱和状态而蒸发了, 并由真空泵及时排出回收。物料内部的水份(溶剂)不断的向表面渗透、蒸发、排出, 三个过程不断进行, 物料在很短时间内达到干燥目的。

Principle

- Heat source (for example, low pressure steam or thermal conduct oil) pass through the sealed jacket. The heat will be transmitted to raw material to be dried through inner shell;
- Under driving of power, the tank is rotated slowly and the raw material inside it is mixed continuously. The purpose of reinforced drying can be realized;
- The raw material exists is under vacuum. The drop of steam pressure makes the moisture (solvent) at the surface of raw material become saturation and will evaporate. The solvent will be discharged through vacuum pump an recovered in time. The inner moisture (solvent) of raw material will infiltrate, evaporate and discharge continuously. The three processes are carried out unceasingly and the purpose of drying can be realized within a short time.

SZG Series Double Conical Revolving Vacuum Dryer SZG 系列双锥回转式真空干燥机

应用

适用化工、制药、食品等行业的粉状、粒状及纤维状物料的浓缩、混合、干燥及需低温干燥的物料(如生化制品等), 更适用于易氧化、易挥发、热敏性、强烈刺激、有毒性物料和不允许破坏晶体的物料的干燥。

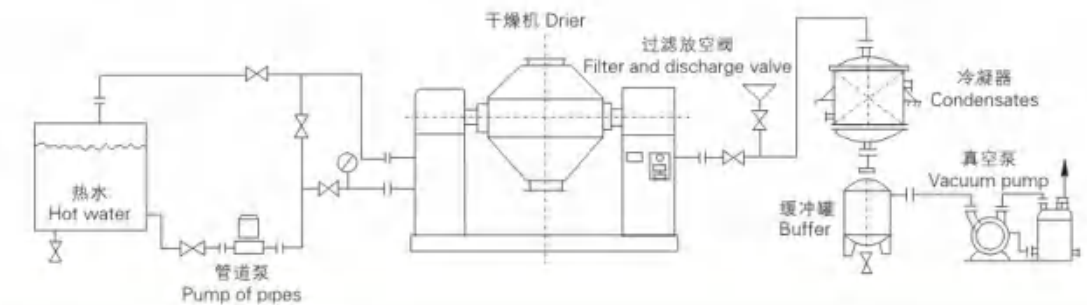
Application

It is suitable for the raw materials that need to concentrate, mixed and dried at low temperature (for example, biochemistry) products in chemical, pharmaceutical and foodstuff industries. Particularly it is suitable for the raw materials that are easy to be oxidized, volatilized and have heat sensitivity and is toxic and not permitted to destroy its crystal in drying process.



安装示意图
Schematic of installation

推荐的工艺安置示范: 溶剂回收工艺安置
example of recommended installation: installation of solvent recover.



技术参数 Technical parameters

项目 Item	机型 Type	100	200	350	500	750	1000	1500	2000	3000	4500	5000
名称 Name	单位 Unit	100	200	350	500	750	1000	1500	2000	3000	4500	5000
总容积 Total volume	L	100	200	350	500	750	1000	1500	2000	3000	4500	5000
工作容积 Working volume	L	≥50	≥100	≥175	≥250	≥375	≥500	≥750	≥1000	≥1500	≥2250	≥2500
加热面积 Heating area	m ²	1.16	1.5	2	2.63	3.5	4.61	5.58	7.5	9.6	13.8	15.2
转速 Speed	rpm	6								4	4	4
功率 Power	kw	0.75	1.1	1.5	2.2	2.2	3	4	5.5	7.5	15	18.5
回转高度 Height of rotating frame	mm	1810	1910	2090	2195	2500	2665	2915	3055	3330	4210	4500
整机重量 Total weight	Kg	550	700	900	1100	1200	1300	1500	2000	3000	4000	4200
罐内设计压力 Design pressure inside tank	Mpa	-0.09-0.096										
夹层设计压力 Design pressure inside jacket	Mpa	≤0.3										

YZG\FZG Series Vacuum Dryer YZG(圆)\FZG(方) 系列真空干燥机

原理 Principle

所谓真空干燥, 就是将干燥物料处在真空条件下, 进行加热干燥, 如果利用真空泵进行抽气抽湿, 则加快了干燥速率。
注: 如采用冷凝器, 物料中的溶剂可通过冷凝器加以回收; 如采用SK系列水环真空泵, 可不用冷凝器, 节省能源投资。

It is well known that vacuum drying is to put raw material under the state of vacuum for heating and drying. If use vacuum to pump air and humidity out, the dry speed will be faster.

Note: if use condenser, the solvent in raw material can be recovered. If apply SK series water ring vacuum pump, condenser might be canceled and the investment and every could be saved.



应用 Application

适用于在高温下易分解, 聚合和变质的热敏性物料的低温干燥; 被广泛地采用在制药、化工、食品、电子等行业。

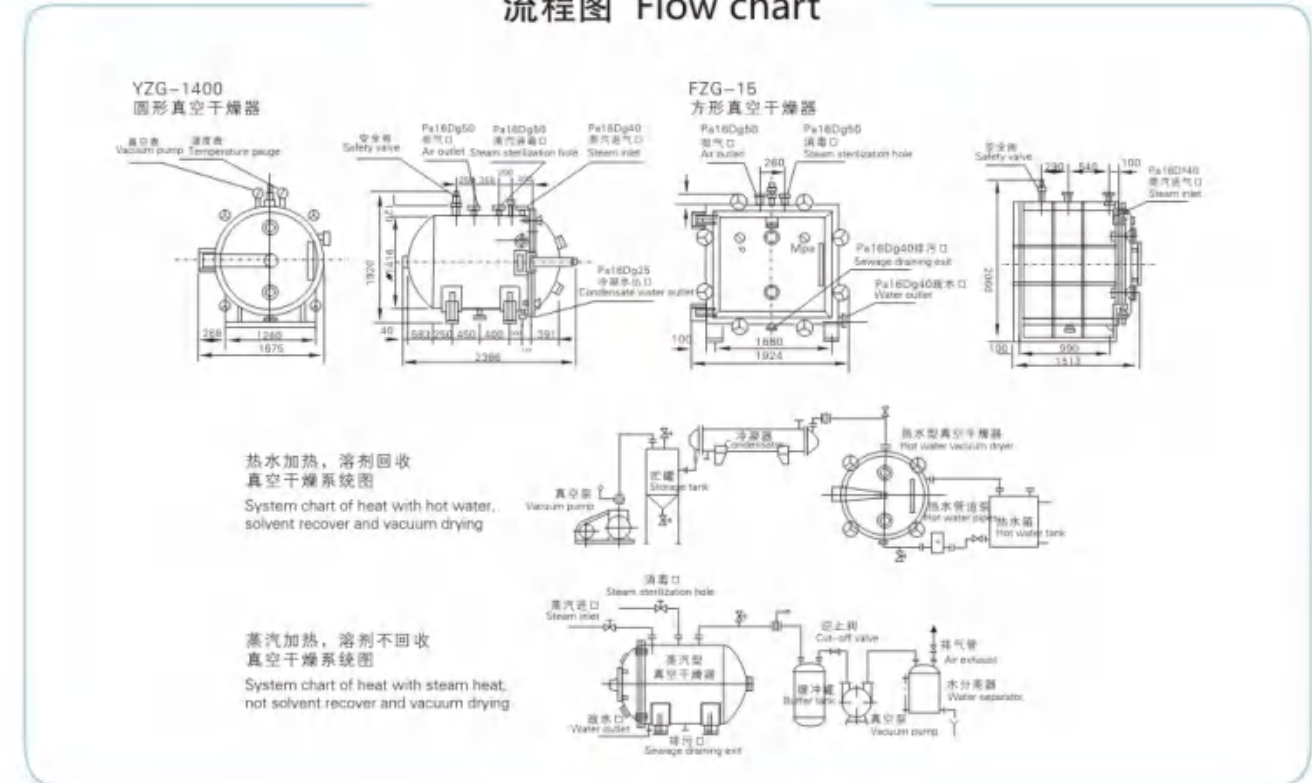
It is suitable for drying heat sensitive raw materials that can decompose or polymerize or deteriorate at high temperature. It is widely used in pharmaceutical, chemical, foodstuff and electronic industries.

特点 Features

- 真空下物料溶液的沸点降低, 使蒸发器的传热推动力增大, 因此对一定的传热量可以节省蒸发器的传热面积。
- 蒸发操作的热源可采用低压蒸汽或废热蒸汽。
- 蒸发器热损失少。
- 在干燥前可进行消毒处理, 干燥过程中无任何不纯物混入, 符合GMP要求。
- 属于静态真空干燥器, 故干燥物料的形体不会损坏。
- Under the condition of vacuum, the boiling point of raw material will decrease and make the evaporation efficiency higher. Therefore for a certain amount of heat transfer, the conducting area of dryer can be saved.
- The heat source for evaporation may be low pressure steam or surplus heat steam.
- The heat loss is less.
- Before drying, the treatment of disinfection may be carried out. During the period of drying, there is no impurity material mixed. It is in conformity with the requirement of GMP.
- It belongs to static dryer. So the shape of raw material to be dried should not be destroyed.

YZG\FZG Series Vacuum Dryer YZG(圆)\FZG(方) 系列真空干燥机

流程图 Flow chart



技术参数 Technical parameters

名称 Name	规格 Model	YZG-600	YZG-800	YZG-1000	YZG-1400A	FZG-10	FZG-15	FZG-20
干燥箱内尺寸 Inner size of drying chamber, mm		Φ600 × 976	Φ800 × 1320	Φ1000 × 1530	Φ1400 × 2080	1500 × 1040 × 1200	1500 × 1400 × 1200	1500 × 1800 × 1200
干燥箱外尺寸 Outer size of drying chamber, mm		750 × 950 × 1050	950 × 1210 × 1350	1150 × 1410 × 1600	1550 × 1900 × 2150	1676 × 1700 × 1564	1676 × 2060 × 1564	1676 × 2500 × 1564
烘架层数 Layers of baking support		4	4	5	8	5	8	12
层间距离 Interval, mm		85	100	100	100	120	120	120
烘盘尺寸 Size of baking tray, mm		310 × 600 × 45	460 × 640 × 45	460 × 640 × 45	460 × 640 × 45	460 × 640 × 45	460 × 640 × 45	460 × 640 × 45
烘盘数 Quantity of baking tray		4	4	10	32	20	32	48
烘架管内使压 Working pressure inside the pipe of baking support, MPa		≤0.784	≤0.784	≤0.784	≤0.784	≤0.784	≤0.784	≤0.784
烘架使用温度 Operation temperature of baking support, °C		35 - 150	35 - 150	35 - 150	35 - 150	35 - 150	35 - 150	35 - 150
箱内空载真空度 Degree of vacuum inside the chamber when operation in idle, Mpa		-0.1	-0.1	-0.1	-0.1	-0.1	-0.1	0.1
在-0.1MPa, 加热 Under the condition of -0.1 Mpa 温度110°C时, 水 and 110°C, evaporation rate of 的汽化率 water, kg/m ³ ·hr		7.2	7.2	7.2	7.2	7.2	7.2	7.2
用冷凝器时, 真空泵型号, 功率 When condenser is used, Model and power of vacuum pump, kw		2X-15A 2KW	2X-30A 3KW	2X-30A 3KW	2X-70A 5.5KW	2X-70A 5.5KW	2X-70A 5.5KW	2X-90A 7.5KW
不用冷凝器时, 真空泵型号, 功率 When condenser is not used, Model and power of vacuum pump, kw		SK-0.5 1.5KW	SK-1 2.2KW	SK-1 2.2KW	SK-1 5.5KW	SK-2 4KW	SK-2 5.5KW	SK-2 5.5KW
干燥箱重量 Weight of drying chamber, kg		250	600	800	1400	1400	2100	3200

上述数据, 仅供参考, 如有特殊要求, 本厂提供设计, 咨询服务。
The above mentioned data is for reference only. If having special requirements, the factory can provide the service of consultation and design.

HG Series Cylinder And Scratch Board HG 系列滚筒刮板干燥机

概述 Description

HG系列滚筒干燥机的工作原理是让液体或泥浆状物料在水蒸汽或其它热载体加热的滚筒表面形成薄膜, 并在滚筒转一圈的过程中便被干燥完毕, 利用刮刀把产品刮下来, 露出滚筒表面再次与原料接触形成薄膜进行干燥。

HG series cylinder operation principle of desiccator to let liquid or mud form supplies form the membrane in steam or other hot cylinder surface that carrier heated, and dry to finish while the cylinder turns around, is it blow handle of a knife product is it get off to blow to utilize, the cylinder surface emerges to contact and form the membrane to carry on with raw materials drily again.

特点 Features

- 以蒸汽或导热油为热源, 受热面积大, 热效率高, 加热均匀。
- 干燥速率大, 筒壁上湿料膜的传热与传质过程由里向外方向一致, 温度梯度大, 使料膜表现保持较高的蒸发强度。
- 干燥时间短, 一般为7-30秒左右, 适合热敏性物料。
- 操作方便, 维修便利。
- As heat source, heat area to be heavy with steam or heat conduction, high thermal efficiency have, it is even to heat.
- It is dry speed the heavy, tube there is with spreading quality course material heat transfer of membrane not wet at wall from on direction not outside the unanimous, the temperature gradient is large, make the material membrane display and keep the intensity of higher evaporation.
- Dry time is short, it is generally about 7-30 seconds, suitable for the temperature sensing supplies.
- Easy to operate, it is convenient to maintain.

应用 Application

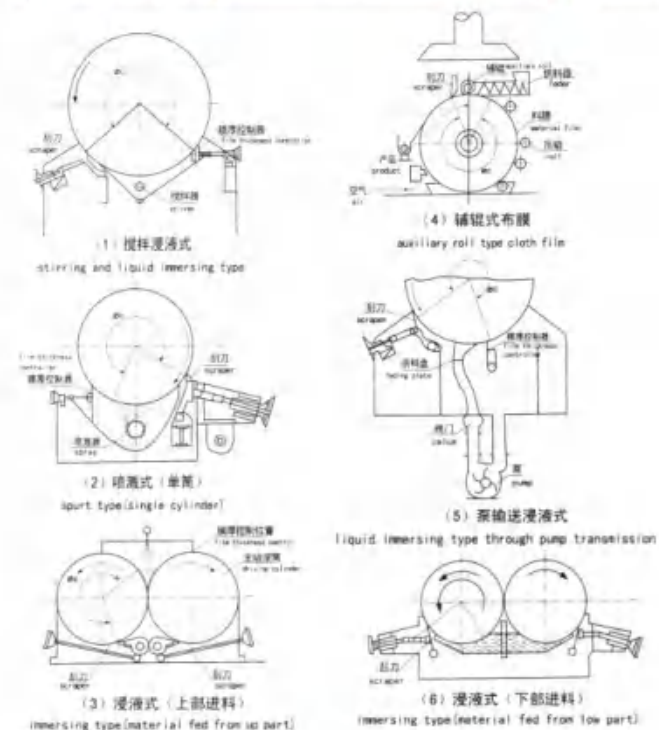
HG系列滚筒干燥机广泛用于食品、化工、医药等行业粘性、膏糊状物料制片、干燥等工序。

Such processes as the HG series cylinder desiccator is used in such trades as the food, chemical industry, medicine, etc. viscosity, lotion pastel supplies film-making, dry extensively.

技术参数 Technical parameters

规格 Model size	滚筒尺寸 Sizes of Cylinder Diameter x Length (mm)	有效加热面积 Effective Heating Area(m ²)	干燥能力 Drying capacity (Kg/h)	蒸汽耗量 Steam Consumption(kg/h)	电机功率 Power of Motor (kw)	外形尺寸 Sizes L x W x H (mm)	重量 Weight (kg)
HG-600	Φ600 x 800	1.12	40-70	100-175	2.2	1700 x 800 x 1500	850
HG-700	Φ700 x 1000	1.65	60-90	150-225	3	2100 x 1000 x 1800	1210
HG-800	Φ800 x 1200	2.26	90-130	225-325	4	2500 x 1100 x 1980	1700
HG-1000	Φ1000 x 1400	3.30	130-190	325-475	5.5	2700 x 1300 x 2250	2100
HG-1200	Φ1200 x 1500	4.24	160-250	400-625	7.5	2800 x 1500 x 2450	2650
HG-1400	Φ1400 x 1600	5.28	210-310	525-775	11	3150 x 1700 x 2800	3220
HG-1600	Φ1600 x 1800	6.79	270-400	675-1000	11	3350 x 1900 x 3150	4350
HG-1800	Φ1800 x 2000	8.48	330-500	825-1250	15	3600 x 2050 x 3500	5100
HG-1800A	Φ1800 x 2000	10.60	420-630	1050-1575	18.5	4100 x 2050 x 3500	6150

注: 部分参数设计时视不同物料有所调整, 以设计为准。



HGB Series Revolving Cylinder Dryer HGB 系列回转滚筒干燥机

概述 Description

湿物料从干燥机一端投入后, 在内筒均布的抄板器翻动下, 物料在干燥器内均匀分布与分散, 且与并流(逆流)的热空气充分接触, 加快了干燥传热、传质推动力。在干燥过程中, 物料在带有倾斜的抄板和热气流作用下, 可调控地运动至干燥机另一端星形卸料阀排出成品。

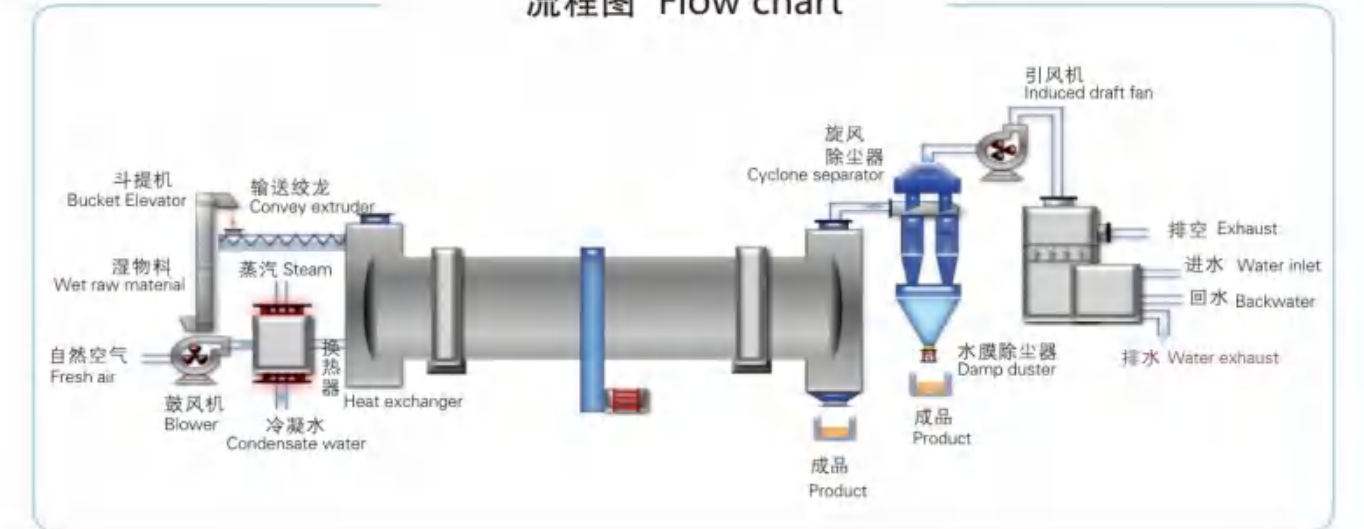
When the damp raw material is fed from one terminal, it is turned over through blades that are distributed inside the cylinder and will be distributed uniformly in the drier and contact fully with the countercurrent hot air. In this way, the process of heat conduction is increased. During the period of dry, under the effect of incine blades and hot air stream, raw material can be moved to the star section of drier and discharged from discharged form discharging valve.

特点 Features

- 转筒干燥器机械化程度高, 生产能力较大。
- 流体通过筒体阻力小, 功能消耗低。
- 对物料特性的适应性比较强。
- 操作稳定, 操作费用较低, 产品干燥的均匀性好。
- High in the extent of mechanization and strong in production capacity.
- The resistance for fluid passing through the cylinder is small. The consumption of power and energy is low.
- It has strong adaptability to the properties of raw material. The operation is stable. The cost of operation is cheap.
- The uniformity of dried substance is good.



流程图 Flow chart

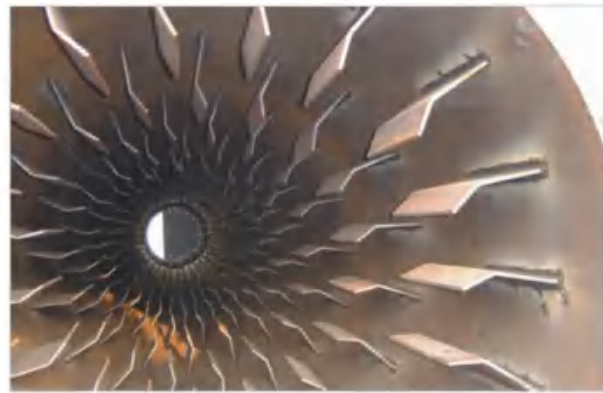


HGB Series Revolving Cylinder Dryer HGB 系列回转滚筒干燥机

应用

适用于

1. 化工、矿山、冶金等行业大颗粒, 比重大物料干燥, 如: 矿山、高炉矿渣、煤、金属粉末、磷肥、硫酸铵。
2. 对有特殊要求的粉状、颗粒状物料的干燥, 如: Hp发泡剂、酒精渣、轻质碳酸钙、活性白土、磁粉、石墨、药渣。
3. 要求低温干燥, 且需大批量连续干燥的物料。



Application

Applicable to the

- 1 Chemical, mining, metallurgy and other industries the proportion of large particles, drying, large material such as: mine, blast furnace slag, coal, metal powder, phosphate fertilizer, ammonium sulfate.
- 2 of the powder, the special requirements of dry granular materials, such as: Hp vesicant, lees, light calcium carbonate, activated clay, powder, graphite, drug residue.
- 3 dry at low temperature, and large quantities of continuous drying of materials.



技术参数 Technical parameters

型号type	筒体rotary		斜度slope%	转速turn speed (r/min)	电机功率power of moto kw	设备重量weight (T)
	直径diameter(m)	长度length(m)				
HGB1.0-6	1.0	6	2-5	2-7	5.5	7
HGB1.0-8	1.0	8	2-5	2-7	5.5	8
HGB1.0-10	1.0	10	2-5	2-7	5.5	9
HGB1.2-8	1.2	8	2-5	2-7	7.5	10
HGB1.2-10	1.2	10	2-5	2-7	7.5	11
HGB1.2-12	1.2	12	2-5	2-7	11	12
HGB1.5-10	1.5	10	2-5	2-5	11	16
HGB1.5-14	1.5	14	2-5	2-5	15	18
HGB1.8-12	1.5	12	2-5	2-5	18.5	20
HGB1.8-14	1.8	14	2-5	2-5	18.5	21

型号type	筒体rotary		斜度slope%	转速turn speed (r/min)	电机功率power of moto kw	设备重量weight (T)
	直径diameter(m)	长度length(m)				
HGB2-20	2	20	2-5	2-3	22	30
HGB2.2-18	2.2	18	2-5	2-3	30	34
HGB2.2-20	2.2	20	2-5	2-3	30	36
HGB2.4-18	2.4	18	2-5	2-3	30	42
HGB2.4-22	2.4	22	2-5	2-3	37	46
HGB2.8-18	2.8	18	2-3	1-3	40	75
HGB3-20	3	20	2-3	1-3	55	82
HGB3-25	3	25	2-3	1-3	55	115
HGB3.2-20	3.2	20	2-3	1-3	75	95
HGB3.5-20	3.5	20	2-3	1-3	75	109
HGB3.5-25	3.5	25	2-3	1-3	75	135
HGB3.5-30	3.5	30	2-3	1-3	110	164

SLH Three Way Rotary Drum Dryer SLH 三回程滚筒烘干机

概述 Description

物料送入内筒通过滚筒内部扬料板即作圆周方向翻滚、又作轴向移动的复合运动, 使湿砂充分受热烘干, 然后经过导流板进入中筒内烘干, 最后干砂料进入外筒降温冷却到50-60℃之间在排除烘干机; 三回程滚筒烘干机采用外、中、内筒制作而成, 内筒高温, 中筒中高温, 外筒低温。

At first, the materials are delivered into inner drum and taken the compound motions that rolled in the peripheral direction and moved in the axial direction by the effect of materials lifting plate, in order to make the wet sand fully heated and dried. Second, the materials will be delivered into middle drum for further drying through the guiding-flow plate. At last, the dry sand will be delivered into outer drum for cooling, when the temperature has went down to 50-60°C, it will be delivered out of the dryer. The three way rotary drum dryer is made up of outer drum, middle drum and inner drum, and for the temperature levels, it is high in inner drum, medium in middle drum and low in outer drum.

特点 Features

- ◇ 该设备热利用率高, 占地面积小, 又能起到物料冷却的效果, 比传统单筒烘干机热效率提高约40%。
- ◇ 该设备广泛应用于干混砂浆、黄砂、水泥厂矿渣、粘土、煤、建材、化工、铸造等行业。

◇ The utilization rate of heat is high and the machine takes up small areas, and it also has a good performance of cooling the materials. Compare to traditional single drum dryer, the thermal efficiency has been increased by 40%.

◇ This machine has been widely applied in the industries of dry mortar, sand, mineral slag from cement plant, clay, coal, construction materials, chemistry, foundry and etc.



三回程滚筒烘干机
Three Way Rotary Drum Dryer

技术参数 Technical parameters

规格型号Model	功率Power(Kw)	外型尺寸Size(mm)
SLH-15	3kw x 4	4860 x 2630 x 2960
SLH-30	5.5kw x 4	4860 x 2630 x 2960
SLH-40	7.5kw x 4	4860 x 2630 x 2960
SLH-50	11kw x 4	4860 x 2630 x 2960
SLH-60	11kw x 4	4860 x 2630 x 2960
SLH-80	15kw x 4	4860 x 2630 x 2960



传动系统(四驱)
Transmission System (Four wheels drive)

XSG Series High-speed Rotating Dryer XSG 系列快速旋转闪蒸干燥机

概述

XSG系列旋转闪蒸干燥机是我公司在引进吸收国外先进技术的基础上,自行开发成功的新型干燥设备。该机技术先进,设计合理,结构紧凑,适用范围广,生产能力大,产品质量好,效率高,节能,在一个设备内干燥、粉碎、筛分一次完成,消除环境污染,整机性能达到国际先进水平。闪蒸干燥机具有原来的轴承感应冷却(水冷却),设计用油泵联接送油润滑、冷却轴承,密封装置性能优异,在主轴设计上采用半环式,电机利用调速电机,传递平稳、噪声小,使用寿命是同类产品的10倍。

Description

XSG series rotating drier is developed by our company, and its technology is based on advance technology adored. The machine is including many superiority, such as reasonable design, compact stuction, widely utilization, grrat productive capacity, good quality, high effect and save energy. Drying, grinding and sieve are completed in one equipment in once time. It eliminate pollution and the technology is reached international advance level.



原理

热空气切线进去干燥器底部,在搅拌器带动下形成强有力的旋转风场。膏状物料由螺旋加料器进入干燥器内,在高速旋转搅拌桨的强烈作用下,物料受撞击、摩擦及剪切力的作用下得到分散,块状物料迅速粉碎,与热空气充分接触、受热、干燥。脱水后的干物料随热气流上升,分级环将大颗粒截留,小颗粒从环中心排出干燥器外,由旋风分离器和除尘器回收,未干透或大块物料受离心力作用甩向器壁,重新落到底部被粉碎干燥。

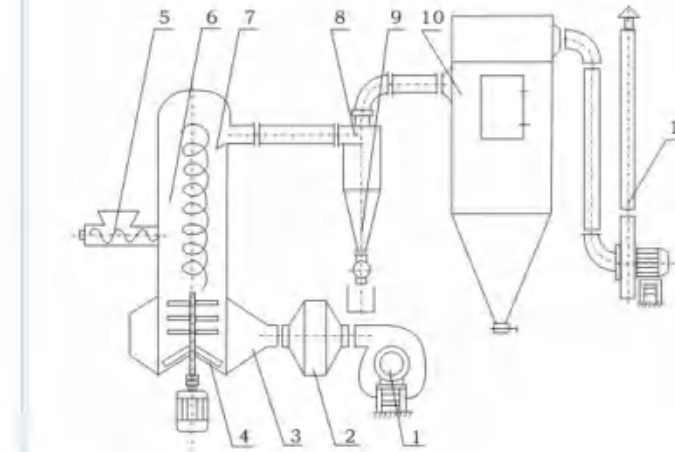
Principle

The hot air enters into the bottom of the drier in tangent direction. Under the driving of the stirrer, a powerful rotating wind field is formed. The paste state materials enter into the drier through the screw charger. Under the powerful function of the stirring vanes at high-speed rotation, the materials are distributed under the function of strike, friction and shearing force. The block state materials will soon be smashed and contact the hot air fully and the materials are heated and dried. The dried materials after the dewatering will go up with the heat air flow. The step rings will stop and keep the big particles. Small particles will be discharged out of the drier from the ring center and will be restored by the whirl separator and dust remover. The not-fully-dried or big piece materials will be sent to the wall of the equipment by centrifugal force function and be smashed again after they fall down to the bottom.



XSG Series High-speed Rotating Dryer XSG 系列快速旋转闪蒸干燥机

结构示意图
Schematic of structure



- | | |
|-----------|---------------------------------|
| 1. 送风机 | 1. blower |
| 2. 加热器 | 2. heater |
| 3. 空气分配器 | 3. air distributor |
| 4. 搅拌机 | 4. stirrer |
| 5. 螺旋加料器 | 5. screw particle adding device |
| 6. 干燥器 | 6. drier |
| 7. 分级器 | 7. sorter |
| 8. 旋风分离器 | 8. whirl separator |
| 9. 星形卸料器 | 9. star shaped dust remover |
| 10. 布袋除尘器 | 10. cloth bag dust remover |
| 11. 引风机 | 11. induced draft fan |

特点

- 旋流、流化、喷动及粉碎分级技术的有机结合。
- 设备紧凑,体积小,生产效率高,连续生产,实现了“小设备,大生产”。
- 干燥强度大,能耗低,热效率可达70%以上。
- 物料停留时间短,成品质量好,可用于热敏性物料干燥。
- 负压或微负压操作,密闭性好,效率高,消除环境污染。

Features

- This machine combines the whirl technology with the fluidity, ejection and smashing step technologies.
- The equipment is compact and small in size, high in production efficiency and continuous in the production. It has realized that "a small equipment can perform the large production".
- The drying capacity for this machine is big but its energy consumption is low. Its heat efficiency can go up to more than 70%.
- The material stay time is very short. The quality of the final products is very good. The machine can be used for drying the heat sensitive materials.
- For the negative pressure or the micro-negative pressure operation, the machine is good for its tightness and high in the efficiency so as to eliminate the environmental pollution.

技术参数 Technical parameters

型号Type	筒体直径(mm) Barrel diameter	主机尺寸(mm) Main machine dimensions	主机功率(kw) Main machine power	处理风量(m³/h) Treatment wind capacity	蒸发水量(kg/h) Water evaporation quantity
XSG-2	200	250×2800	5-9	300-800	10-20
XSG-3	300	400×3300	8-15	600-1500	20-50
XSG-4	400	500×3500	10-17.5	1250-2500	25-70
XSG-5	500	600×4000	12-24	1500-4000	30-100
XSG-6	600	700×4200	20-29	2500-5000	40-200
XSG-8	800	900×4600	24-35	3000-8000	60-600
XSG-10	1000	1100×5000	40-62	5000-12500	100-1000
XSG-12	1200	1300×5200	50-89	10000-20000	150-1300
XSG-14	1400	1500×5400	60-105	14000-27000	200-1600
XSG-16	1600	1700×6000	70-135	18700-36000	250-2000
XSG-20	2000	2100×6800		28200-56500	1000-1500

注:部分参数设计时视不同物料有所调整,以设计为准。

干燥实例 Dried samples

类别 Category	物料名称 Name of raw material	初水分 (%) Initial water content	终水分 (%) Final water content	使用设备型号 The use of device models
农药和农药中间体	草甘膦	12	0.02	XSG-6, XSG-8, XSG-12, XSG-14
	阿特拉津	40	1	XSG-6, XSG-8, XSG-12, XSG-14
	莠灭津	35	1	XSG-6, XSG-8
	扫螨净	20	1	XSG-6, XSG-8
	阿维菌素	80	15	XSG-12, XSG-14
	代森锰锌	30	1	XSG-10, XSG-12
	精噁禾灵	40(湿份为:酒精或甲苯)	1	XSG-4
	三环唑	28	1	XSG-4
	甲酸钙	12	1	XSG-6
	杀虫单	18	1	XSG-6, XSG-8, XSG-10
中间体	巴丹	20	1	XSG-6, XSG-8,
	氢氧化铜	35	1	XSG-8
	间苯二甲腈	25	1	XSG-6, XSG-10
	二羟基化合物	12	1	XSG-4
	咪唑烷	25-30	0.2	XSG-10
	活性碳酸钙	22	3	XSG-12
	纳米碳酸钙	40	1	XSG-10
	普通碳酸钙	20	2	XSG-12
	碳酸锌	65	1	XSG-10
	碳酸铜	10	1	XSG-8, XSG-10
无机类	磷酸轻钙	40	1.8	XSG-14
	碳酸氢钠	8	0.5	XSG-6
	氯化钙	12	2	XSG-8
	硫酸钙	12	2	XSG-8
	硫酸钡	20	0.5	XSG-8
	焦亚硫酸钠	8	0.5	XSG-6
	4A沸石	28	2	XSG-8, XSG-12, XSG-14
	硫酸钠	20	3	XSG-8
	硬脂酸锌	40	0.5	XSG-8, XSG-10
	硬脂酸镁	40	5	XSG-8
有机盐	硬脂酸钙	40	2	XSG-8
	三盐基硫酸铅	25	0.5	XSG-8
	二盐基硫酸铅	25	0.5	XSG-8
	碳化硅	26-30	1	XSG-8
	硅粉	30	1	XSG-10
	白炭黑	82	4-6	XSG-10
	炭黑	70	3	XSG-10
	活性炭	40	0.5	XSG-8
	纳米氧化锌	55	4	XSG-4
	氧化铝	80	0.5	XSG-4
化合物和单质	氧化锆	80	1	XSG-8
	二氧化硅	25	0.2	XSG-4
	氧化铁红			XSG-8
	氢氧化铝	50-80	0.3	XSG-10
	氢氧化铝	85-87	0.3	XSG-10
	高岭土	26-30	6	XSG-10
	聚酯树脂	40-45	0.3	XSG-14
	酞青蓝	40	0.5	XSG-10
	活性黄	60	3	XSG-8
	碱性嫩黄	40	0.3	XSG-8
颜料、染料和中间体	吡啶酮	25-30	0.3	XSG-8
	H酸	40-50	1	XSG-14
	J酸	45	1	XSG-10
	吐氏酸	15	1	XSG-6

QG\GFF\FG Series Air Steam Dryer QG、GFF、FG系列气流干燥机

概述 Description

QG气流干燥机是大批量的干燥设备, 它采用瞬间干燥的原理, 利用载热空气的快速运动, 带动湿物料, 使湿物料浮在热空气中, 这样强化了整个干燥过程, 提高了传热传质的速率, 经过气流干燥的物料, 非结合水份几乎可以全部除去(例如: 淀粉等物料进料含水量是≤40%左右, 成品出料可为13.5%), 所干燥的物料, 不会产生变质现象, 产量可比一般干燥机有显著提高, 用户在短期内取得较高的经济效益。

QG pulse air steam drier is large batch drier, it adopt instant drying principle, use the hot air which moving fast, drive damp raw material and make it float on the hot air, this strengthen the drying process, improved the speed of hot exchanging, raw material is dried by the drier which non-combine water can remove completely. (for example: aw material's first moisture less than 40%, output of finished product occupy 13.5%), raw material doesn't produce metamorphous phenomenon, output increase high than economic drier, the consumer can acquire upper economy benefit in short time.

特点 Features

QG气流干燥机, 适用于制药、化工、食品、建材、塑料等行业的粉状物料的干燥除湿, 例如: 淀粉、鱼粉、食盐、酒糟、面粉、塑料树脂、矿粉、煤粉、A·B·C苯甲酸、2·3·酸、聚氯乙烯、聚丙烯、硫酸钠、焦亚硫酸钠等多种物料的干燥。

我公司就气流干燥设备对外咨询, 并代为设计制造非定型气流干燥机。

QG pulse air steam drier of our company introduces into the most advanced techniques and machines from the United States, has reached the advanced level of international, the equipment has many advantages listed below high in automatic degree, little in investment, low in energy consumption, little occupy in air of factory and work power, wide in applied surface, it is a perfect modern equipment.

技术参数 Technical parameters

名称 Name	参数 Parameter	型号 Model	QG-50	QG-100	QG-250	QG-500	QG-1500
水份蒸发量 Evaporation	kg/h		50	100	250	500	1500
	面积 Area(m ²)		4	6	18	36	60
空气过滤器 Air filter	台数 Amount		1	1	1	2	2
	更换时间 Exchange time(h)		200(滤袋)	200(滤袋)	200(滤袋)	200(滤袋)	200(滤袋)
	面积 Area(m ²)		30	43	186	365	940
加热器 Heater	耗用蒸汽 Consume of steam(kg)		120	235	450	972	2430
	工作压力 Work pressure(Mpa)		0.6-0.8	0.6-0.8	0.6-0.8	0.6-0.8	0.6-0.8
	型号 Model		9-19-4.5	9-26-4.5	9-19-9	9-19-9	9-26-6.3
通风机 Ventilator	台数 Amount		1	1	1	2	4
	功率 Power(kw)		7.5	11	18.5	37	125
	输送量 Amount of transportation(kg/h)		150	290	725	1740	4350
加料器 Material charger	控制方式 Control mode		电磁调速电机	电磁调速电机	电磁调速电机	电磁调速电机	电磁调速电机
	功率 Power(kw)		0.6	1.1	3	3	5
	型号 Model		CLK-350-400	CLK-500-450	ZF12.5	ZF12.5	
旋风分离器 Cyclone separator	效率 Efficiency		98	98	98	98	
	数量 Amount		2	2	2	3	
袋滤器 Bag filter	数量 Amount		1	1	1	1	1
	耗气量 Consume of gas(m ³ /h)				3.6-20.0		

注: 部分参数设计时视不同物料有所调整, 以设计为准。

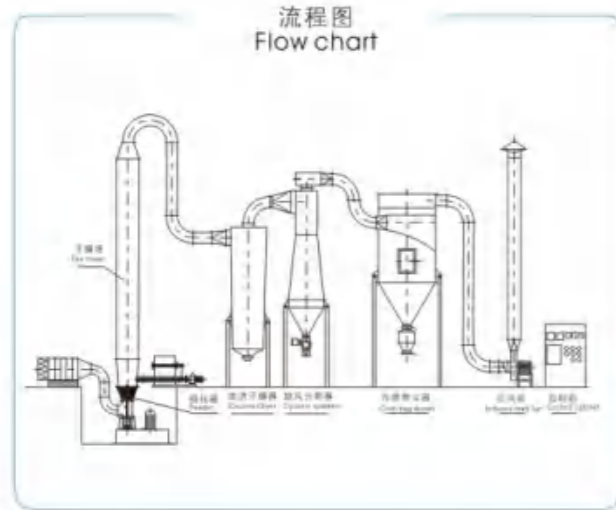


应用 Application

本公司生产制造QG气流干燥设备, 引进美国先进技术设备, 经过独特的设计, 已达到国际一流先进水平, 本产品整个设备自动化程度高, 投资少, 耗能低, 占用人力和厂房面积比较少, 通用面广, 是理想的现代化设备。

The equipment is wide used for drying granule and powder raw materials in the field of foodstuff, chemical, pharmacy, construction materials, plastic industry. For example: starch, finish powder, salt, less, gluten, feed, plastic resin, coal powder, A.B.C benzoic acid, 2.3 acid, PVC, polypropylene, Sodium sulfate, sodium pyrosulfite and so on. Our company can consultation with the drier, also can design and manufacture non-finalize drier.

QG\GFF\FG Series Air Steam Dryer QG、GFF、FG系列气流干燥机



本机特别适合含水量比较大的,呈膏糊状的湿物料,以及用其他气流干燥方法无法干燥的物料,如:醋酸乙烯及聚乙烯的共聚物,醋酸纤维絮,催化剂、C.M.C、CT-1树脂、煅石膏、电解二氧化锰、蒽醌磺酸铵盐、氟石、硅藻土、硅胶催化剂、骨粉、过氧酸钾磺铵类药物、合成树脂、活性面筋、活性白土、化学滤饼、金红石型钛白粉、癸二酸、硫酸铜、硫酸铝、硫酸钠、磷酸钙、磷酸酯化淀粉、染料、柠檬酸钙、煤泥、粘土、粘土水泥、氢氧化铝、氢氧化钡、乳酸钙、食品、三聚氰胺石膏浆、石灰、生物制品、碳黑、碳酸钙浆、污泥渣、有机化学品硬脂酸铝、氧化铁、有机燃料、玉米蛋白饲料、阴湿泥浆、云母粉、药剂、颜料、重铬酸钾纸浆、酒糟渣等。

This dryer is suitable for the raw materials that contains high moisture and appear paste and other raw materials that can not be dried with other drying methods. For example, copolymer of vinyl acetate and chlorothymol, cellulose acetate, catalyst, C.M.C, CT-1 resin, burnt plaster, electrolytic manganese dioxide, anthraquinone ammonium sulphamate, fluor, diatomaceous, silica gel catalyst, born powder, potassium perchlorate sulfonamide, synthesis resin, active gluten, active argil, chemical filter cake, titanium dioxide, decandic acid, copper sulphate, Aluminum sulphate, sodium sulphate, calcium phosphate, starch, dyestuff, calcium citrate, coal earth, cement, aluminium hydroxide, barium hydroxide, slurry of calcium carbonate, residue of sludge, organic compounds, ferric oxide, organic fuel, maize albumen feed, mica powder, medicine, dyestuff, paper pulp of potassium prodromata, lees residue and so on.

技术参数 Technical parameters

型号spec	蒸发水份(kg/h)以表面水份计算 moisture be evaporated(calculated based on the surface moisture)	装机功率 power(kw)	占地面积(m ²) area to occupied	高度 height(m)
GFF 50	50	10	20	9
GFF 100	100	20	32	11
GFF 200*	200	31	40	11
GFF 250	250	32	64	13
GFF 500*	500	54	96	13
GFF 1000*	1000	135	120	15
GFF 1500*	1500	175	200	16

注: 1、有*号者为二级干燥 2、装机功率、占地面积以蒸汽加热方式计算

Note: 1、marked with * has two grade for drying. 2、Its power and area to be occupied are calculated based on steam heating.

注: 部分参数设计时视不同物料有所调整, 以设计为准。

原理

气流干燥能从易于脱水的颗粒, 粉末状物料, 迅速除去水份(主要是表面水份)。在气流干燥中, 由于物料在干燥器内停留时间短, 使干燥成品的品质得到最佳的控制。我厂强化型气流干燥是在基本型上增加一套转速可以无级调节的强化器组成, 湿物料通过螺旋加料器进入强化器后和热气流充分混合, 在飞速旋转的击刀击碎和推进下, 物料被破碎成细颗粒, 在干燥同时向出口移动, 最后在风力吸引下进入干燥管, 进一步均匀干燥。风力无法吸引的湿重颗粒继续被击碎、干燥, 直至能被风吸起进入干燥管。

Principle

Air stream dryer can remove moisture from the surface of raw materials of granules or powder that are easy to dehydrate. Under the air stream drying process, the quality of finished products can be controlled to the best because of raw material stays a short time. The dryer of our factory is developed on the basis of basic spec to add a reinforced device of steeples speed exchange. When the humidity raw material is fed through screw, it is mixed with air fully and is broken and pushed by rotating knives, the surface of raw material is broken to fine granule. It moves to the outlet at the same time of drying. Finally it enters into drying pipe under the absorbing of air force, it is dried further there. The humid and heavy granule that is not absorbed by air is broken and dried continuously till entering the drying pipe.



QG\GFF\FG Series Air Steam Dryer QG、GFF、FG系列气流干燥机

应用

本设备广泛地用于食品、化工、医药、建材等行业的粉状、颗粒状物料的干燥。已用该系列干燥过的产品有: 淀粉、葡萄糖、鱼粉、砂糖、食糖、酒糟、饲料、面筋、塑料树脂、煤粉、染料等。

Application

The equipment is widely used for drying granules and powder raw materials from foodstuff, chemical, pharmaceutical and construction materials industries. The products used this kind of equipment for drying are as follows; starch, glucose, fish powder, sugar, edible sugar, lees, feed, plastic resin, coal powder, dyestuff and so on.

工作原理

FG系列干燥机的工作原理是将湿物料干燥分为两步完成。原料先由二级干燥之尾气和补充热气的混合体进行一级正压干燥, 使用后的高湿低温尾气排出机外, 干燥后的半成品由新鲜的热空气进行二级负压干燥, 干燥后的成品计量包装, 使用过的高温低湿尾气用作一级干燥, 从而完成良好的循环干燥过程, 补充的热风量可根据需要随意调节, 因而机器适用性广。

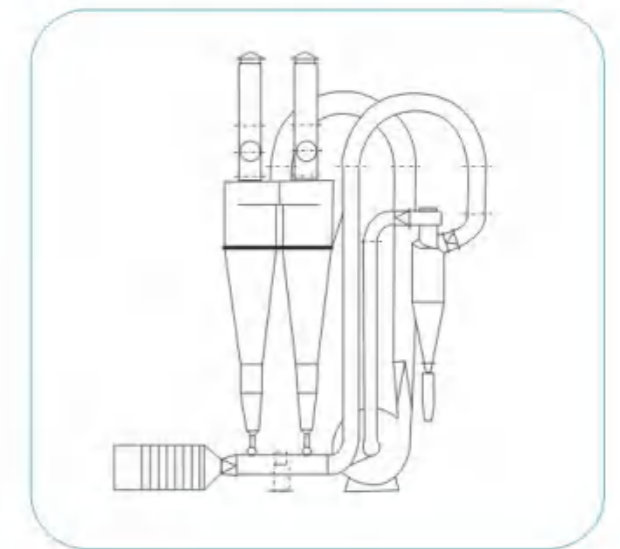
Working Principle

The working principle is as follows: the drying of raw material is divided into two steps. First, raw material is dried with the mixing air of the tail air from the second dry and compensating hot air under positive pressure. The dried tail air is discharged to atmosphere. Second, the dried semi-finished product is carried to the second drying with fresh hot air under negative pressure. The finished product is measured and packaged. The used high temperature and low moisture tail air is used for the first grade drying. In this way the good circulating process is completed. The supplementary hot air may be adjusted freely. Therefore the machine has a wide application.

技术参数 Technical parameters

型号spec	单位unit	FG 0.25	FG 0.5	FG 0.9	FG 1.5	FG 2.0	FG 2.5	FG 3.0	FG 3.5
蒸发水份 moisture to be evaporated	kg/h	113	225	450	675	900	1125	1150	1491
功率配备 Power	kw	11	18.5	30	50	75	90	110	110
占地面积 occupied area	m ²	3.5 × 3.5	7 × 5	7 × 6.5	8 × 7	11 × 7	12 × 8	14 × 10	14 × 10
热效率 heat efficiency	%	> 60	> 60	> 60	> 60	> 60	> 60	> 60	> 60

注: 部分参数设计时视不同物料有所调整, 以设计为准。



ZLG Series Rectilinear Vibrating-fluidizing Dryer ZLG 系列振动流化床干燥机



特点

- 振动源是采用振动电机驱动,运转平稳,噪音低,寿命长,维修方便。
- 热效率高,比一般干燥装置可节能30%以上。床层温度分布均匀,无局部过热现象,流态化匀称,无死角现象。
- 可调性好,适应面宽,料层厚度和在机内移动速度以及全振幅变更均匀可实现无级调节。
- 对物料表面的损伤小,可用于易碎物料的干燥,物料颗粒不规则时亦不影响工作效果。
- 采用全封闭式结构,有效地防止了物料与空气间交叉感染作业环境清洁。
- 当用于高水分物料大批量生产时,可采用多台串联的方式以达到用户要求(典型物料:如聚丙烯酰胺等)。

概述 Description

ZLG振动流化床干燥机广泛适用于化工、轻工、医药、食品、塑料、粮油、矿渣、制盐、糖等行业的粉料颗粒状物料的干燥、冷却、增湿等作业。

The drier is suitability in chemical industry, light industry, pharmaceutical, food, plastic, oil, slag, salt, sugar and so on, for drying, cooling and wetting.

原理 Principle

物料自进口进入机内,在振动力作用下,物料沿水平方向抛掷向前连续运动,热风向上穿过流化床同湿料换热后,湿空气经旋风分离器除尘后由排风口排出,干燥物料由排料口排出。

Raw material is fed into the machine and moves forward continuously along with the level of fluidized-bed under the action of vibration. The hot air passes through fluidized-bed and carries out heat exchange with damp raw material. Then the damp air is exhausted out through cyclone separator and the dry raw material is discharged through discharge outlet.

Features

- The vibration created by motor is stable in operation and convenient in maintenance, low noise and long life.
- High efficiency, raw material is heated evenly and heat exchange is fully used and dry capacity is high. Compared with ordinary drier, the energy can be saved about 30%.
- It is good in regulation and wide in suitability. The thickness of raw material layer and movable speed inside the machine and the amplitude can be adjusted through continuous variable speed.
- It is small for damaging the surface of raw material. The equipment can be used for drying raw materials that are easy broken. The drying effect can not be affected even if raw materials have irregular shape.
- A fully enclosed structure, effectively prevent the material and the air space between the cross infection of the working environment clean.
- You can string multi-serial to raise capacity of raw materials, if the raw material contain high moisture such as polyacrylamide.



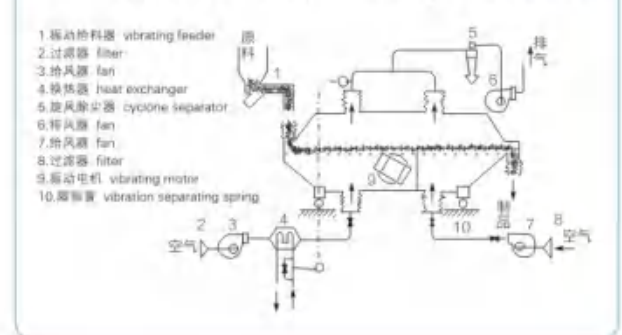
ZLG Series Rectilinear Vibrating-fluidizing Dryer ZLG 系列振动流化床干燥机

应用 Application

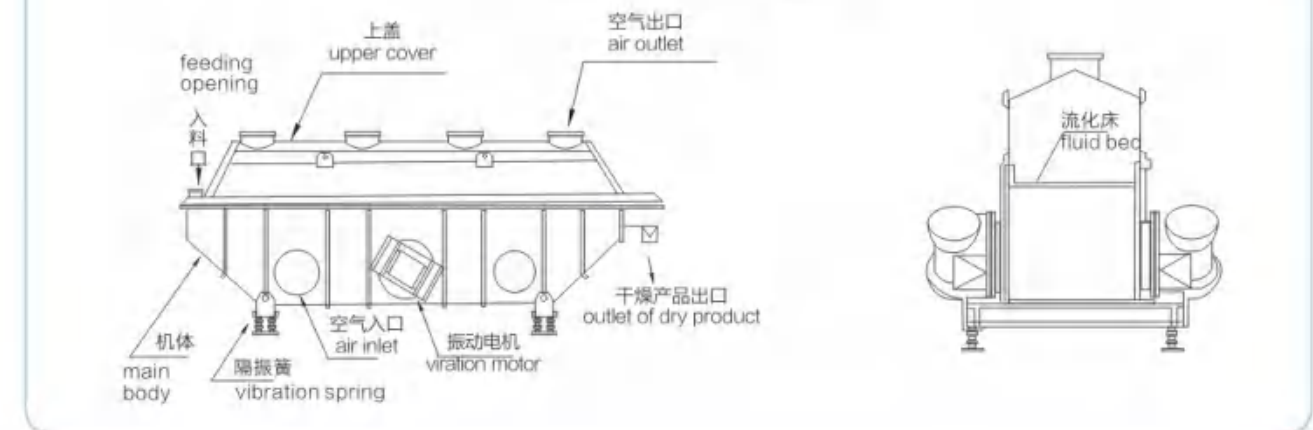
适用于化工、制药、食品、脱水蔬菜、粮食、矿产等行业的粉状、颗粒状物料的干燥、冷却等作业,如:柠檬酸、味精、硼砂、硫酸、复合肥、萝卜丝、豆粕、酒糟、种子、矿渣、砂糖等。

It is suitable for the operations of drying, cooling for powder or granule raw materials. They may be citric acid, monosodium glutamate, borax, ammonium sulphate, compound fertilizer, piece of radish, bean, lees, seed, mine residue and sugar, in chemical, pharmaceutical, foodstuff, grain, mine and so on industries.

振动流化床配套系统图
Complete System Chart of Vibrating Fluidized Bed



结构示意图 Schematic of structure



技术参数 Technical parameters

机型 Model	流化床面积 Area of fluidized-bed (M ²)	进风温度 Temperature of inlet air (°C)	出风温度 Temperature of outlet (°C)	蒸发水份能力 Capacity to vapor moisture(kg/h)	振动电机 Vibration motor 型号 Model	功率 Power kw
ZLG3×0.30	0.9	70-140	40-70	20-35	YZS8-6	0.55×2
ZLG4.5×0.30	1.35			35-50	YZS10-6	0.75×2
ZLG4.5×0.45	2.025			50-70	YZS15-6	0.75×2
ZLG4.5×0.60	2.7			70-90	YZS15-6	1.1×2
ZLG6×0.45	2.7			80-100	YZS15-6	1.1×2
ZLG6×0.60	3.6			100-130	YZS20-6	1.5×2
ZLG6×0.75	4.5			120-170	YZS20-6	1.5×2
ZLG6×0.9	5.4			140-170	YZS30-6	2.2×2
ZLG7.5×0.6	4.5			130-150	YZS30-6	1.5×2
ZLG7.5×0.75	5.625			150-180	YZS40-6	2.2×2
ZLG7.5×0.9	6.75			160-210	YZS40-6	2.2×2
ZLG7.5×1.2	9.0			200-280	YZS50-6	3.0×2
ZLG7.5×1.5	11.25			230-330	YZS50-6	3.7×2
ZLG8×1.8	14.4			290-420	YZS75-6	3.7×2

注:部分参数设计时视不同物料有所调整,以设计为准。

LZG Series Helix Vibration Dryer LZG 系列螺旋振动干燥机

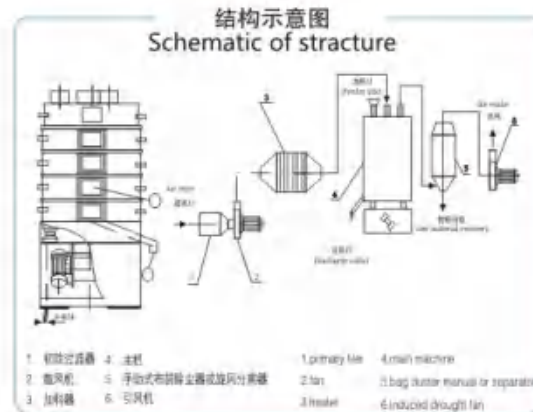
原理 Principle

湿物料自顶部加料口进入螺旋床内, 在周向激振力及重力的作用下, 物料沿螺旋床自上而下作跳跃运动, 直至最底层出料; 同时, 洁净的热风由螺旋床底部进入, 与分布在床上的物料进行充分的传热和传质后, 由顶部排湿口排出, 从而使湿物料达到了干燥的目的。

The wet raw material enters into helix bed from fed inlet at the top and moves along with the helix bed from up to low and make jumping to the bottom, under the effect of vibrating force and gravity and then it's discharger. Meanwhile clean hot air enters into it from the bottom of helix bed and carries out heat exchange with raw material on the helix bed fully and exhausts from the outlet at the top. In this way the dry purpose of wet raw material is realized.

特点 Features

- 热风多次穿过物料层与物料逆向流动, 使热交换充分, 热效率高。
- 结构紧凑, 占地面积小。
- 物料在床内停留时间可调节, 操作方便。
- 物料沿螺旋床自上而下作圆周运动的同时, 自身也产生跳跃, 从而增加了物料与热风的接触, 增强了干燥果。
- 连续的进出料适合于流水线, 并且易达到“GMP”规范, 可代替传统的箱式干燥。
- 对物料的表面及形状基本没有损伤, 不仅保证了丸剂的圆度, 而且大大的降低了丸剂的破碎率。
- Because the hot air passes through the layer of raw material several tiers and acts counter motion towards the raw material, the heat exchanger is fully preferment and thermal efficiency is high.
- The structure is compact and it occupies small area.
- The stay time of raw material in the helix bed can be adjusted and the operation is very convenient.
- The raw material acts the motion if circle at helix bed from up to low, at the same the equipment can jump itself, so the contact surface between hot air and raw material is increased too and the dry effects is strengthened.
- The equipment is suitable for continuous operation because of continuous



feeding and discharging raw material. Meanwhile it is easy to meet the requirements of 'GMP'.

- It does not damage the surface and shape of raw material basically. It can not only maintain the roundness of pill but also decrease the rate of pills.

技术参数 Technical parameters

型号 spec	单位 unit	LZG-1.0	LZG-1.2	LZG-1.4	LZG-1.6	LZG-1.8
直径 diameter	mm	1000	1200	1400	1600	1800
振动电机功率 power	kw	2 × 0.75	2 × 0.75	2 × 1.5	2 × 1.5	2 × 2.2
外形尺寸 over all dimensions	m	1.2 × 1.2 × 2.7	1.4 × 1.4 × 2.7	1.6 × 1.26 × 3	1.8 × 1.8 × 3.3	2.0 × 2.0 × 3.3
重量 weight	kg	1400	1680	2800	3100	3800
生产能力 production capacity	kg/h	80-120	120-200	200-280	280-350	350-450
进风温度 temperature of air intel	°C	60-200	60-200	60-200	60-200	60-200
风量 air amount	m ³ /h	1487	2380	3721	4462	5930
风机功率 power of fan	kw	5.5	7.5	15	18.5	22

生产能力与物料含水量及终水分有关, 表中数据为中药丸的生产能力(中药丸的初水分一般为<35%, 终水分一般为<3%)
Note: the production capacity is concerned with the moisture of raw material and the final moisture of finished product. The data listed in the table indicates the production capacity of pill of Chinese traditional medicine (the primary moisture of pill Chinese traditional medicine is less than 35% and the moisture of finished product is less than 3%)

XF Series Horizontal Fluidizing Dryer XF 沸腾干燥机



概述 Description

沸腾床干燥机是由空气过滤器、加热器、沸腾床主机, 星形加料器、旋风分离器、布袋除尘器、高压离心风机, 操作台等组成, 由于干燥物料的性质不同, 沸腾床干燥机配套除尘设备时, 可按需要考虑, 可同时选择旋风分离器, 布袋除尘器, 也可选择其中一种, 一般来说比重较大的如冲剂及颗粒物料干燥只需选择旋风分离器, 比重较轻的小颗粒状和粉状物料需配套布袋除尘器, 并备有气流送料装置供选择。星型加料器由用户选配。

A fluidized bed dryer consists of air filter, heater, fluidized bed, rotating segment feeder, cyclone separator, bag dust remover, high press. centrifugal fan and stage for operation. According to different characters of different materials to be dried, the dryer can be equipped with both cyclone separator and bag dust remover or with either of them. Generally speaking, for those pellet materials with a large specific gravity, only a cyclone separator is needed. And for those granule or powder materials with a small specific gravity, a bag dust remover is needed and so is a pneumatic conveying device if possible. The dryer can also be equipped with a rotating segment feeder if required.

应用 Application

沸腾床干燥机适用于散粒状物料的干燥。如: 医药药品中的原料药, 压片颗粒料, 中药冲剂, 化工原料中的塑料树脂、柠檬酸和其它粉状、颗粒状物料的干燥除湿。食品、粮食加工, 饲料干燥中的食品饮料冲剂, 玉米胚芽、饲料等的干燥。物料的粒径一般最佳粒径为0.5~3mm。

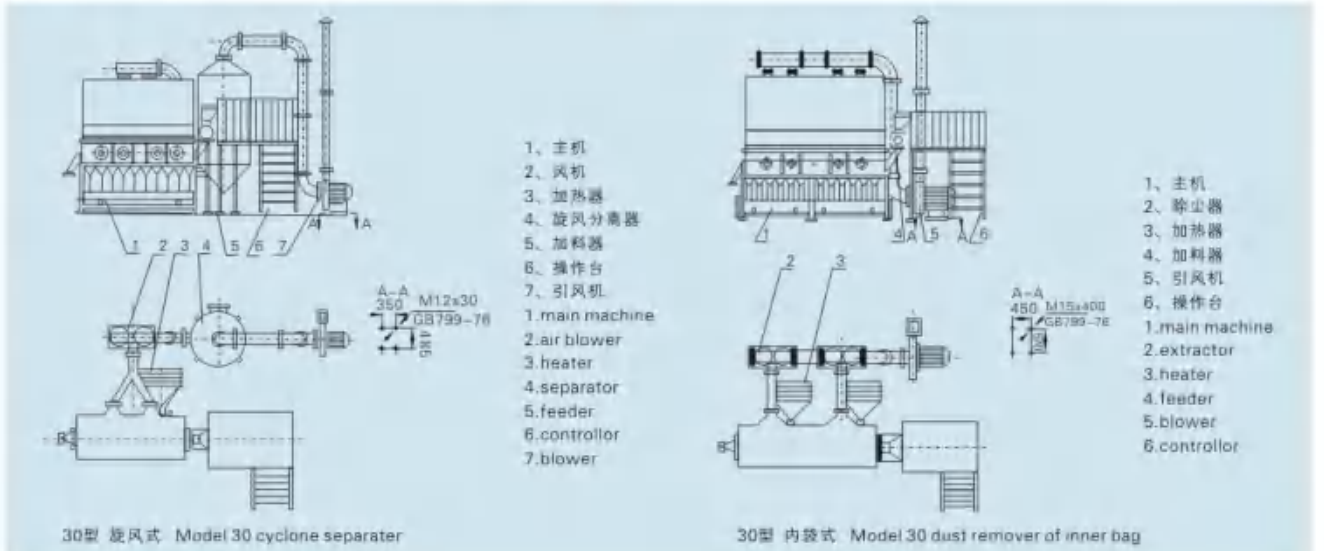
This fluidized bed dryer is suitable for drying pellet or granule materials such as raw materials for medicine, pellets, traditional Chinese medicine drink granules in pharmaceutical industry; plastic resin, citric acid and other powder or granule materials in chemical industry. It also can dry grain, corn embryo, feed etc. The most suitable diameter of the materials is 0.5-3mm.

特点 Features

沸腾床干燥机可实行自动化生产, 是连续式干燥设备。干燥速度快, 温度低, 能保证产品质量, 符合药品生产 GMP 要求。蒸汽、电、热风炉均可配用。

This fluidized bed dryer can achieve automation and continuous drying process. It has a high drying speed and a low temperature and the product quality can be ensured, meeting GMP requirements. The heating resource can be steam, electricity or furnace.

工艺流程简图 Sketch of Flow Chart



概述 Descriptions

草酸沸腾干燥机是在原有沸腾干燥机基础上经过我公司20年的研发而成的特定设备。主要针对草酸的易溶、易板结、脱水慢、不易烘干这些特性。它是由于空气过滤器，加热器，沸腾床主机，旋风分离器，布袋除尘器，高压离心风机，操作台组成，由于干燥物料的性质不同，配套除尘设备时可按需要考虑，可同时选择旋风分离器，布袋除尘器也可选择其中一种，一般来说比较重大的如冲剂及颗粒物料干燥只需选择旋风分离器，比重较轻的小颗粒状和粉状物料需配套布袋除尘器，并备有气力送料装置及皮带输送机供选择。

散粒状固体物料由加料器加入流化床干燥器中，过滤后的洁净空气加热后由鼓风机送入流化床底部经分布板与固体物料接触，形成流态化达到气固的热质交换。物料干燥后由排料口排出，废气由沸腾床顶部排出经旋风除尘器组和布袋除尘器回收固体粉料后放空。

蒸汽、电、热风炉均可配用(按用户要求配套)。

还适用于散粒状物料的干燥，如：医药药品中的原料药、压片颗粒料、中药冲剂、化工原料中的塑料树脂、柠檬酸和其他粉状、颗粒状物料的干燥除湿，还用于食品饮料冲剂，粮食加工、玉米胚芽、饲料等的干燥。物料的粒径最大可达6mm，最佳为0.5-3mm。



Boiling dryer is also called as fluidized-bed. It consists of air filter, heater, fluidized-bed main machine, feeder, cyclone separator, cloth bag duster, high-pressure centrifuge fan and operation table. Because the properties of raw materials exist difference, when equip the dust removing equipment, it should consider the practical need. It can select cyclone separator and cloth bag duster at the same time or one of them. In general speaking, it needs to select cyclone separator only for raw material that is large in specific gravity and cloth bag duster for powder and small granule raw materials that is light in specific gravity. Meanwhile there is air feeding device and belt conveyor for selection. Separated granule solid raw material is fed into fluidized-bed drier through feeder. Fresh air through filtering and heating is sent to the bottom of fluidizedbed by fan and contacts with solid raw material on distributing plate. In this way the fluidized state is formed and the heat exchange between air and solid is carried out. The dried raw material is discharged from outlet and wasted gas is exhausted from the top of fluidized-bed where catches solid powder through cyclone separator, cloth bag duster. Steam, electricity or hot air furnace can be used (it can be supplied as request) It is suitable for drying separated granule such as, raw material of pharmaceutical industry, tablet, tablet of drink of Chinese traditional medicines; plastic resin, citric acid, other powder and granule of chemical industry, powder of drink, corn embryo feed of foodstuff industry and so on. The Max diameter of raw material to be dried will 6 mm and the best diameter will be 0.5-3 mm.



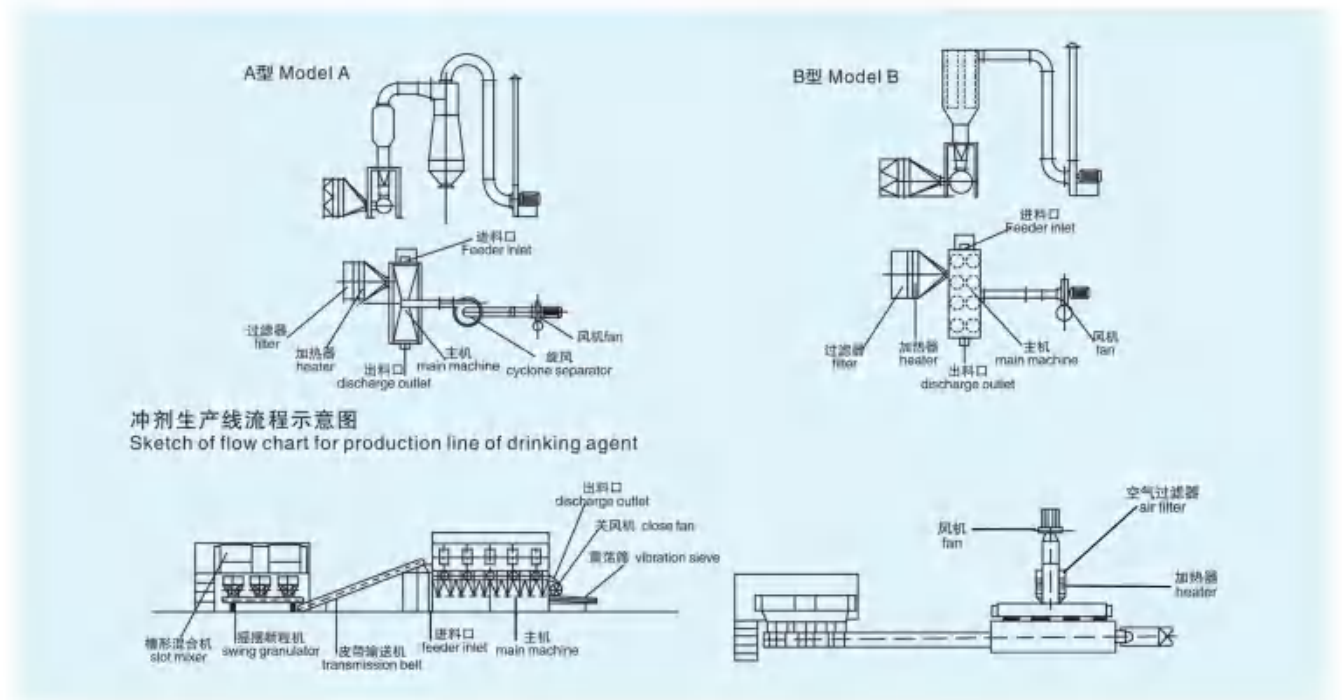
实际使用中的非标设计大型沸腾床 Fluidizing dryers under production on-site

特点 Features

沸腾干燥机针对草酸烘干的特性更改了温度的平衡性，草酸对温度的敏感性决定了物料的烘干时间。针对草酸流动性差更改了沸腾壁的锥度设计。

The boiling dryer changes the temperature balance based on the characteristics of oxalic acid drying, and the sensitivity of oxalic acid to temperature determines the drying time of the material. The taper design of the boiling wall has been.

工艺流程 Technological process



技术参数 Technical parameters

型号规格 model and specifications	XF 0.25-1 (原XF10)	XF 0.25-2 (原XF20)	XF 0.25-3 (原XF30)	XF 0.25-6	XF 0.3-2	XF 0.3-4	XF 0.3-6	XF 0.3-8	XF 0.3-10	XF 0.4-4	XF 0.4-6
床层面积 area of bed layer (m ²)	0.25	0.5	1.0	1.5	0.6	1.2	1.8	2.4	3.0	1.6	2.4
干燥能力 drying capacity (kg H ₂ O/h)	10-15	20-25	30-45	52-75	~30	42-60	63-90	84-120	105-150	56-80	84-120
风机功率 Power of fan (kw)	5.5	7.5	15	22	7.5	18.5	30	37	48	30	37
进风温度 temperature of air in (°C)	120-140	120-140	120-140	120-140	120-140	120-140	120-140	120-140	120-140	120-140	120-140
物料温度 temperature of air in (°C)	40-60	40-60	40-60	40-60	40-60	40-60	40-60	40-60	40-60	40-60	40-60
外形尺寸(主机) overall dimensions (main machine) L(长)×W(宽)×H(高)(m)	1×0.6×3.35	2×0.6×3.35	4×0.6×3.35	6×0.6×3.35	2×0.7×3.4	4×0.7×3.4	6×0.7×3.4	8×0.7×3.4	10×0.7×3.4	4×1×3.68	6×1×3.68
占地面积 occupied area (m ²)	18	25	35	40	25	38	45	56	70	18	56

型号规格 model and specifications	XF 0.4-8	XF 0.4-10	XF 0.4-12	XF 0.5-4 (原XF50)	XF 0.5-6	XF 0.5-8	XF 0.5-10	XF 0.5-12	XF 0.5-14	XF 0.5-16	XF 0.5-18
床层面积 area of bed layer (m ²)	3.2	4.0	4.8	2.0	3.0	4.0	5.0	6.0	7.0	8.0	9.0
干燥能力 drying capacity (kg H ₂ O/h)	112-160	140-200	168-240	70-100	105-150	140-200	175-250	210-300	245-350	280-400	315-450
风机功率 Power of fan (kw)	48	70	70	30	48	70	105	140	147	169	197
进风温度 temperature of air in (°C)	120-140	120-140	120-140	120-140	120-140	120-140	120-140	120-140	120-140	120-140	120-140
物料温度 temperature of air in (°C)	40-60	40-60	40-60	40-60	40-60	40-60	40-60	40-60	40-60	40-60	40-60
外形尺寸(主机) overall dimensions (main machine) L(长)×W(宽)×H(高)(m)	8×1×3.68	10×1×3.68	12×1×3.68	4×1.2×4.1	6×1.2×4.1	8×1.2×4.1	10×1.2×4.1	12×1.2×4.1	14×1.2×4.1	16×1.2×4.1	18×1.2×4.1
占地面积 occupied area (m ²)	74	82	96	50	70	82	100	140	180	225	268

注：一、加料方式有：1.星形加料。2.星形加料式和气加输送并用。3.皮带输送。4.用户自定。二、可实现自动化生产。三、除以上型外，可为用户作特殊设计。四、根据物料不同，风机功率亦不同。
 Note: 1. The feeding way has: (A) Star feeding (B) Combining star feeding and air conveyor (C) Belt conveying (D) decided by customer
 2. Automatic production can be realized. 3. Besides the model above mentioned, the special model can also be designed and manufactured as request.
 4. According different raw material, the power of fan will be differ.

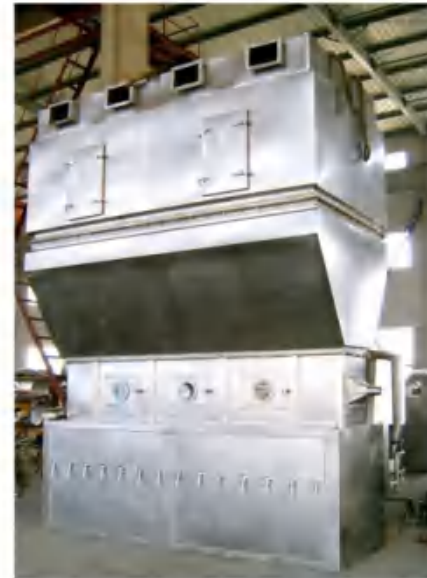
XF Series Horizontal Fluidizing Dryer

XF 沸腾干燥机

原理 Principle

散粒状固体物料由加料器加入沸腾干燥机中, 过滤后的洁净空气加热后由鼓风机送入流化床底部经分布板与固体物料接触, 形成流态化达到气固相的热质交换。物料干燥后由排料口排出, 废气由沸腾床顶部排出经旋风除尘器组和布袋除尘器回收固体粉料后排空。

Granule or pellet solid materials are fed into the fluidized bed dryer through the feeder. Filtrated clean air is heated and charged onto the bottom of the fluidized bed to contact with the solid materials on the distributing plate, where fluidization can be reached and the heat exchange between solid and air can be achieved. After being dried, the products are discharged from the outlet. Waste gas is discharged from the top of the fluidized bed, and powder materials are recovered by the cyclone separator or bag dust remover.



安装说明 Instructions for installation

沸腾床、旋风分离器及布袋除尘器安放在平整的水泥地上即可, 不需底脚螺丝。风机可安装在室内或室外, 需有底座及地脚螺丝。平面布置可根据厂房情况酌情调整。

风道系统应不漏气, 以免影响干燥效果。

Fluidized bed, cyclone separator and cloth bag dust extractor should be placed on flat concrete ground without any screws on foundation. The air blower may be installed indoors or outdoors with foundation and screws. The plane design can be partly adjusted in accordance with the building conditions. No air should leak from the air pipe system so as not to influence the drying efficiency.

技术参数 Technical parameters

参数 Parameter	床层面积 m ²	干燥能力 (水kg/h) Drying capacity (water Kg/h)	风机 Air blower			进风温度 (°C) Air intake temp	出料温度 (°C) Material discharge temp	**加热耗能 Heating energy consumption	
			功率 [kw] Power	风压 (Pa) Air pressure	风量 (m ³ /h) Air volume			蒸汽 (Kg/h) Steam	电 (kw) Elec power
XF-10A	0.25	10-15	5.5	4900	2300	60-140	40-80	50	30
XF-10B	0.25		4	3800	2300				
XF-20A	0.5	20-25	7.5	5000	3100			100	60
XF-20B	0.5		5.5	3500	3100				
XF-30A	1.0	30-45	15	6000	4200			150	90
XF-30B	1.0		11	4700	4200				
XF-50A	2.0	50-80	22	7400	6000			250	150
XF-50B	2.0		18.5	5900	6000				

*干燥能力: 酸梅晶以、初含水份20%、终含水份5%、进风温度130℃而测定, 其它物料干燥能力将根据不同情况而定。
**加热能耗: 蒸汽或电可单独使用。

*Drying capacity: when drying sweet-sour plum crystals, it should be measured on the basis the primary moisture contents of 20% and final moisture contents of 5% and the air intake temperature at 130°C. The dry capacity of other materials should be based on different drying conditions.

**Heating energy consumption: Steam or electric power may be used separately.

GFG Series High-efficiency Fluidizing Dryer

GFG 系列高效沸腾干燥机

原理 Principle

空气经加热净化后, 由引风机从下部导入, 穿过料斗的孔洞板。在工作室内, 经搅拌和负压作用形成流态化, 水份快速蒸发后随着排气带走, 物料快速干燥。

When air is purified and heated, it is introduced from the bottom of induced-draft fan and passed through the screen plate of raw material. In working chamber, the state of fluidization is formed through stirring and negative effect. The moisture is evaporated and removed rapidly and the material is dried quickly.

应用 Application

- 机制螺杆挤压颗粒、摇摆颗粒、湿法高速混合制粒颗粒。
 - 医药、食品、饲料、化工等领域湿颗粒和粉状物料干燥。
 - 大颗粒, 小块状, 粘性块粒状物料。
 - 魔芋、聚丙烯酰胺等干燥时体积变化的物料。
- Use screw to extrude and vibrate granule and granulate granule using the methods of humidity, high speed and mixing;
 - Suitable for drying humidity block or powder raw material in the fields such as pharmaceutical, foodstuff, feedstuff, chemical industries and so on;
 - The raw material is large in granule and small in bolck and having adhesive property;
 - Suitable for raw materials, its volume will be changed when dry, such as giantarum, polyacrylamide, etc.



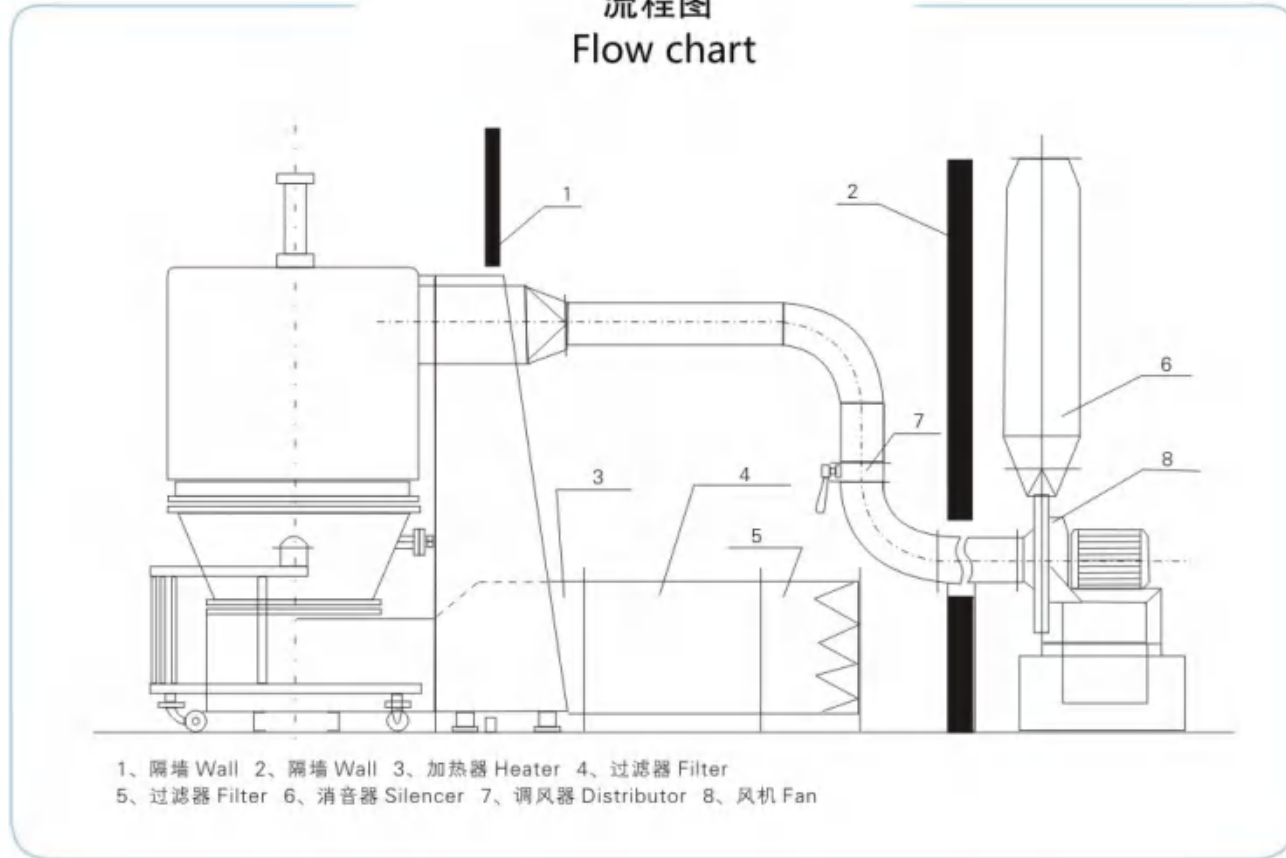
特点 Features

- 流化床为圆形结构, 避免死角。
 - 料斗设置搅拌, 避免潮湿物料团聚及干燥时形成沟流。
 - 采用翻倾卸料, 方便迅速彻底, 亦可按要求设计自动进出料系统。
 - 密闭负压操作, 气体经过过滤。操作简便, 清洗方便, 是符合“GMP”要求的理想设备。
 - 干燥速度快, 温度均匀, 每批干燥时间约在20-30分钟。
- The structure of fluidized bed is round so as to avoid dead corner;
 - Inside the hopper there is a stirrer in order to avoid agglomeration of raw material and forming canal flow;
 - The granule is discharged through the method of turning over. In this way it is very convenient and full. The discharging system can be designed as request too;
 - It is operated at the conditions of negative pressure and seal. The air is filtered. Therefore it is simple in operation and convenient in clean. It is an ideal equipment that is in conformity with the requirements of GMP
 - The drying speed is fast and the temperature is uniform. In general the drying time is 20-30 minutes for each batch.



GFG Series High-efficiency Fluidizing Dryer GFG 系列高效沸腾干燥机

流程图
Flow chart



技术参数 Technical parameters

项目 Item	单位 Unit	型号 Type							
投料 Raw material	kg	60	100	120	150	200	300	500	
生产能力 Production capacity	kg/batch	30-60	60-100	80-120	100-150	120-200	200-300	300-500	
原料容器 Container of Raw material	直径 Dim	mm	1000	1000	1200	1200	1400	1600	1800
	容积 Volume	L	220	330	420	500	670	1000	1500
风机 Fan	风量 Air volume	m ³ /h	2361	3488	4000	4901	6032	7800	10800
	风压 Air pressure	mmH ₂ O	594	533	533	679	787	950	950
	功率 Power	kw	7.5	11	15	18.5	22	30	45
搅拌功率 Stirring power	kw	0.55	0.55	0.55	0.55	0.75	0.75	1.1	
搅拌转速 Stirring speed	r.p.m	11							
蒸汽耗量 Consumption of steam	kg/h	141	170	210	240	282	366	451	
操作时间 Time of operation	min	15-45(视物料情况而定)							
主机高度 Height of main machine	方形 Square	mm	2750	2850	2850	2900	3100	3300	3650
	圆形 Round	mm	2700	2900	2900	2900	3100	3600	3850

注: 部分参数设计时视不同物料有所调整, 以设计为准。

FG Series Fluidizing Dryer (Vertical Type) FG 系列立式沸腾干燥机



应用

本机主要适用于医药、食品、化工等行业进行粉末或颗粒物料的干燥, 特别是低温物料的干燥, 效果明显。

Application

The machine is main used for drying powder or granules from pharmaceutical, foodstuff, chemical and so on industries. Especially for the low temperate stuff.

技术参数 Technical parameters

机型 spec		单位 unit	3	5	30	60	120	200	300	500
原料容器 container of raw material	直径 dim.	mm	300	400	700	1000	1200	1400	1600	1800
	容积 volume	L	12	22	100	220	420	670	1000	1500
生产能力 production capacity	最小Min	kg/batch	1.5	4	15	30	80	100	150	250
	最大Max	kg/batch	4	6	36	72	140	240	360	600
蒸汽耗量 consume of steam	kg/batch	12	23	70	140	211	282	366	465	
压缩空气量 amount of compressed air	m ³ /min	0.3	0.3	0.3	0.6	0.6	0.9	1.1	1.6	
风机功率 power of fan	kw	2.2	2.2	5.5	11	18.5	22	30	45	
温度 temperature	°c	常温~120°C 自动调节 Adjustable from ambient to 120°C								
物料收率 collection rate	%	> 99								
终湿含量 content of final moisture	%	~0.2(视具体物料而定 Depends on material)								
噪音 noise	dB	≤ 75								
主机高度 height of main machine	mm	2100	2300	2500	3000	3300	3800	4000	4400	

注: 部分参数设计时视不同物料有所调整, 以设计为准。

LPG Series High Speed Centrifugal Spray Dryer LPG 系列高速离心喷雾干燥机



概述 Description

离心喷雾干燥是液体工艺成形和干燥工业中应用最广泛的工艺。最适用于从溶液、乳液、悬浮液和糊状液体原料中生成粉状、颗粒状固体产品。因此,当成品的颗粒大小分布、残留水份含量、堆积密度和颗粒形状必须符合精确的标准时,喷雾干燥是一道十分理想的工艺。

Spray drying is the technology most widely used in the liquid technology shaping and in the drying industry. The drying technology is most suitable for producing solid powder or particle products from liquid materials, such as: solution, emulsion, suspension and pumpable paste states. For this reason, when the particle size and distribution of the final products, residual water contents, mass density and the particle shape must meet the precise standard, spray drying is one of the most desired technologies.

原理 Principle

空气经过过滤和加热,进入干燥器顶部空气分配器,热空气呈螺旋状均匀地进入干燥室。料液经塔体顶部的高速离心雾化器,(旋转)喷雾成极细微的雾状液珠,与热空气并流接触,在极短的时间内可干燥为成品。成品连续地由干燥塔底部和旋风分离器中输出,废气由风机排空。

After the air been filtered and heated the air enters into the air distributor on the top of the dryer. The hot air enters into the drying room in the spiral form and uniformly. Passing through the high-speed centrifugal sprayer on the top of the tower, the material liquid will rotate and be sprayed into the extremely fine mist liquid beads. Through the very short time of contacting the heat air, the materials can be dried into the final products. The final products will be discharged continuously from the bottom of the drying tower and from the cyclones. The waste gas will be discharged from blower.

特点 Features

- 干燥速度快,料液经雾化后,表面积大大增加,在热风气流中,瞬间就可蒸发95%~98%的水份,完成干燥时间仅需数秒钟,特别适用于热敏性物料的干燥。
- 产品具有良好的均匀度、流动性和溶解性、产品纯度高、质量好。
- 生产过程简化,操作控制方便。对于湿含量40~60%(特殊物料可达90%)的液体能一次干燥成粉粒产品,干燥后不需粉碎和筛选,减少生产工序,提高产品纯度。对产品粒径、松密度、水份,在一定范围内可通过改变操作条件进行调整,控制和管理都很方便。

● The drying speed is high when the material liquid is atomized, the surface area of the material will increase greatly. In the hot-air flow, 95%~98% of water can be evaporated at a moment. The time of completing the drying is only several seconds. This is especially suitable for drying the heat sensitive materials.

● Its final products own the good uniformity, flow ability & solubility. And the final products are high in purity and good in quality.

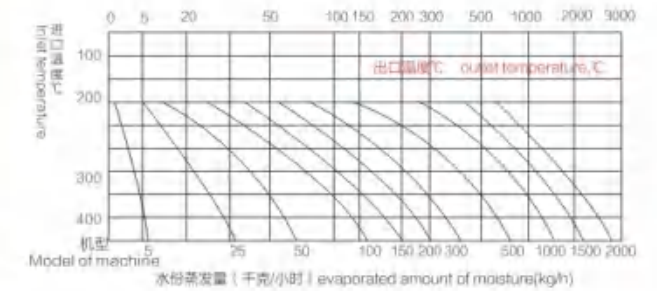
● The production procedures are simple and the operation and control are easy. The liquid with moisture contents of 40~60% (for special materials, the contents might be up to 90%) can be dried into the powder or particle products once a time. After the drying process, there is no need for smashing and sorting, so as to reduce the operation procedures in the production and to enhance the product purity. The product particle diameter, looseness and water contents can be adjusted through changing the operation condition within a certain range. It is very convenient to carry out control and management.



LPG Series High Speed Centrifugal Spray Dryer LPG 系列高速离心喷雾干燥机



水份蒸发曲线 Evaporated curve of moisture



应用 Application

化学工业: 氟化钠(钾)、碱性染料颜料、染料中间体、复合肥、甲醛硅酸、催化剂、硫酸剂、氨基酸、白炭黑等。

塑料树脂: AB, ABS乳液、尿醛树脂、酚醛树脂、密封胶(脲)甲醛树脂、聚乙烯、聚氯乙烯等。

食品工业: 富脂奶粉、酪朊、可可奶粉、代乳粉、猪血粉、蛋清(黄)等。

食物及植物: 燕麦、鸡汁、咖啡、速溶茶、调味香料肉、蛋白质、大豆、花生蛋白质、水解物等。

糖类: 玉米浆、玉米淀粉、葡萄糖、果胶、麦芽糖、山梨酸钾等。

陶瓷、氧化铝、瓷砖材料、氧化镁、滑石粉等。

● Chemical Industry: Sodium fluoride (potassium), alkaline dyestuff and pigment, dyestuff intermediate, compound fertilizer, formic silicic acid, catalyst, sulphuric acid agent, amino acid, white carbon and so on.

● Plastics and resin: AB, ABS emulsion, uric acid resin, phenolic aldehyde resin, urea-formaldehyde resin, formaldehyde resin, polythene, polychloroprene and etc.

● Food Industry: Fatty milk powder, protein, coco milk powder, substitute milk powder, egg white (yolk), food and plant, oats, chicken juice, coffee, instant dissoluble tea, seasoning meat, protein, soybean, peanut protein, hydrolysate and so forth.



香油
Soy



碳化钨
Tungsten carbide



粉末油脂
Powder lipin



颜料
Pigment



中药
Chinese traditional medicine



PVC



氧化铝
Aluminium oxide



石蜡
Paraffin

YPG Series Pressure Spray Dryer YPG 系列压力式喷雾造粒干燥机

概述 Description

压力式喷雾干燥造粒机是采用压力式雾化器借助隔膜泵的压力将溶液或浆状的物料雾化成细微液滴, 使表面积显著增大, 经与热风进行充分热交换得以快速干燥(十几秒至几十秒), 从而得到粉体或细小颗粒产品的设备。

The liquid or paste raw material is sprayed into minute liquid drop by pressed sprayer draw assistance from pressure of diaphragm pump, and quickly drying through short heat exchange.(10sec.) at last, the powder or small granule is obtained.

特点 Features

- 干燥速度快, 特别适用于热敏性物料;
- 所得产品为球状颗粒, 粒度均匀, 流动性、溶解性好, 产品纯度高, 质量好;
- 使用范围广, 可进行热风干燥、造粒、也可以进行冷却造粒、喷雾结晶、喷雾反应等。
- 可配备细粉回送, 再湿附聚系统, 满足用户对物料粒径的要求。
- 操作简单稳定, 控制方便, 容易实现自动化作业, 产品粒径、松密度、水份在一定范围内可以调节。

- The dry speed is fast and suitable for drying thermal sensitivity material particularly.
- The finished product is ball granule with uniform size. Its fluidity and solubility are good. The purity of product is high and its quality is good.
- Its applied scope is wide. According to the characteristics of raw material, it can use hot air to dry and can also use cool air to granulate. It has strong adaptability to raw materials.
- Its operation is simple and stable and its control is simple and convenient and is easy to realize automatic operation.
- The product particle diameters, looseness and water contents can be adjusted through changing the operation condition within a certain range.

应用 Application

食品、医药、化工、染化、陶瓷、生化、农药、塑料等适用具有相应流动性的液体。

It is suitable for liquid of foodstuff, pharmaceutical, chemical industry, dyestuff, ceramics, agrochemicals, plastic and so on.

技术参数 Technical parameters

项目		型号 spec							YPG-1000-2000
item		YPG-25	YPG-50	YPG-100	YPG-150	YPG-200	YPG-300	YPG-500	
水份蒸发量 water evaporation capacity		25	50	100	150	200	300	500	
隔膜泵 diaphragm pump	功率 power (kw)	0.35	4	7.5	11	15	22	30	根据物料实验效果在0.6-5之间调节, 一般操作在1-3之间。 It can be regulated from 0.6 to 5, in general, it will be from 1 to 3.
	压力 pressure(Mpa)								
加热方式 heating way		电 electricity	电+蒸汽 electricity+steam		电+燃煤(油) 热风炉 electricity+coal fuel oil/hot air furnace				
塔身直径 diameter of tower body(mm)		1300	1800	2400	2600	2800	3200	3800	
设备总高 total height (mm)		7800	9200	11600	14000	15300	17100	19000	

注: 1. 蒸发量与物料特性有关, 本表蒸发量与温度相关数据仅供参考。
2. 雾化压力和泵的型号参照物料处理、产品粒径要求配备。
3. 风机功率在配套布袋除尘器后有所增加。



ZPG Series Spray Dryer For Chinese Traditional Medicine Extract ZPG 系列中药浸膏喷雾干燥机

概述



该机采用全封闭式, 所有部件均采用不锈钢制造, 配有三级净化装置, 过滤后的空气达十万级要求。筒体与顶部装有冷壁装置, 使壁温 < 80°C, 物料在壁上停留也不焦化变质现象, 大大增加了收粉率 (达95%以上), 而且不会产生混药现象和粘壁现象。

基本原理: 中药浸膏高速离心喷雾装置是离心式喷雾干燥技术在特定物料干燥中的应用, 也是利用高速离心式雾化器使物料分散成雾状, 与热空气所充分接触, 完成瞬间干燥, 形成粉状成品的干燥装置。

中药浸膏专用干燥机是专门用来解决, 中药浸膏和植物液体的喷雾干燥机, 它解决了物料在原LPG高速喷雾干燥机在中药浸膏干燥中出现的以下情况:

1. 物料粘壁, 收粉率低;
2. 物料在壁上停留时间长, 产生物料的焦化变质现象
3. 难以清洗, 不符合GMP要求;
4. 产量低: LPG-150型喷雾干燥机, 其产量只能处理50-60Kg/h液料。

鉴于以上状况, 我厂根据中药浸膏的物料性质与工艺要求设计了中药浸膏干燥机难题, 干燥后的物料颜色好、不变质, 大大地提高了工厂的经济效益。

- 中药浸膏与LPG高速离心喷雾干燥机相比有以下特点:
1. 采用了三级空气净化, 使进风达到10万级要求;
 2. 采用了冷壁装置, 使内壁温度达到80°C, 物料在壁上停留也不焦化;
 3. 整个体积是原LPG标准离心喷雾的3.5倍。
 4. 采用快开冲洗装置, 适用于多品种生产要求。
 5. 除尘采用了湿式除尘, 使粉尘无外出, 符合环保要求;
 6. 采用气扫装置, 其效果更令人满意;
 7. 雾化器采用变频调速。
 8. 采用了PLG控制, 程控系统屏幕显示;
 9. 可以配带冲洗装置;
 10. 采用干空气密闭输送。

Description

The machine adopts full seal form. All parts are made of stainless steel. It is equipped with three grades of filter. The filtered air is one hundred thousand grades. The cooling device of wall is installed at the cylinder body. It makes the wall temperature less than 80°C. Air sweeping device is installed inside the drying tower. The product will not be burnt or deteriorated even stays on the wall. The collection rate of powder is raised greatly. Moreover will not cause medicine mixed or wall stick.

Basic Principle: high-speed centrifuge atomizing for the extract of traditional Chinese medicine is an application of centrifuge atomizing technique. It is a high-speed atomizing dryer. The following problems are solved.

1. Raw material is stick on the wall and the rate of powder collecting is low.
2. Because the staying time of raw material on the wall is long, the phenomenon of burnt and degeneration can be produced.
3. It is difficult to clean and can not meet the requirement of GMP.
4. Low in output: Model LPG-150 atomizing centrifuge dryer can process 50-60kg/h of raw material liquid.

In view of this, according to the properties and process requirements of the extract of traditional Chinese medicine, our factory researched and designed the special dryer for the extract of traditional Chinese medicine and won items of china patent. It solves the historical difficult problems in drying the extract of traditional Chinese medicine. The color of dried raw material is good. The dried raw material does not degenerate. It raises the economic benefit greatly. Compared to ordinary LPG high-speed atomizing dryer, it has the following features:

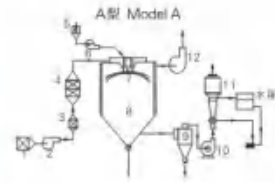
- (1). Adopted three-grade air filter, the inlet air is one hundred thousand grade.
- (2). Adopted wall cooling device, the temperature of inner wall will be on more than 80°C. Even if raw material is stayed on the wall, it will not be burnt.
- (3). Its whole volume is 3.5 times of standard LPG high-speed atomizing dryer.
- (4). Adopted quick washing device, it can meet the requirements of production for varieties of products.
- (5). Adopted wet-dedusting, there is no powder dust out. It is in conformity with the requirements of GMP.
- (6). Adopted air sweeping device, the clean effect is satisfied.
- (7). Equipped adopted frequency inverter control.
- (8). Adopted PLC control and display, and adapted frequency control.
- (9). Equipped with washing device on request.
- (10). Adopt the seal transport by dry air on request.

ZPG Series Spray Dryer For Chinese Traditional Medicine Extract

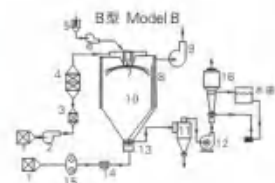
ZPG 系列中药浸膏喷雾干燥机

结构示意图

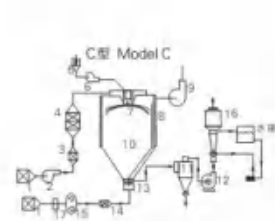
Schematic of structure



- | | |
|--------------|-------------------------------------|
| 1. 初级空气过滤器 | 1.primary effect air filter |
| 2. 送风机 | 2.blower |
| 3. 中、高级空气过滤器 | 3.middle and high effect air filter |
| 4. 电加热器 | 4.electric heater |
| 5. 料桶 | 5.drum of raw material |
| 6. 送料泵 | 6.feeding pump |
| 7. 雾化器 | 7.atomizer |
| 8. 干燥塔 | 8.drying tower |
| 9. 旋风分离器 | 9.cyclone |
| 10. 引风机 | 10.draught fan |
| 11. 水膜除尘器 | 11.duster |
| 12. 冷风机 | 12.fan of cool air |



- | | |
|--------------|-------------------------------------|
| 1. 初级空气过滤器 | 1.primary effect air filter |
| 2. 送风机 | 2.blower |
| 3. 中、高级空气过滤器 | 3.middle and high effect air filter |
| 4. 电加热器 | 4.electric heater |
| 5. 料桶 | 5.drum of raw material |
| 6. 送料泵 | 6.feeding pump |
| 7. 雾化器 | 7.atomizer |
| 8. 冷风夹套 | 8.jacket of cool air |
| 9. 冷风机 | 9.fan of cool air |
| 10. 干燥塔 | 10.drying tower |
| 11. 旋风分离器 | 11.cyclone |
| 12. 引风机 | 12.draught fan |
| 13. 气扫装置 | 13.air sweeping device |
| 14. 电加热器 | 14.electric heater |
| 15. 气扫风机 | 15.fan for air sweeping |
| 16. 水膜除尘器 | 16.duster |



- | | |
|--------------|-------------------------------------|
| 1. 初级空气过滤器 | 1.primary effect air filter |
| 2. 送风机 | 2.blower |
| 3. 中、高级空气过滤器 | 3.middle and high effect air filter |
| 4. 电加热器 | 4.electric heater |
| 5. 料桶 | 5.drum of raw material |
| 6. 送料泵 | 6.feeding pump |
| 7. 雾化器 | 7.atomizer |
| 8. 冷风夹套 | 8.jacket of cool air |
| 9. 冷风机 | 9.fan of cool air |
| 10. 干燥塔 | 10.drying tower |
| 11. 旋风分离器 | 11.cyclone |
| 12. 引风机 | 12.draught fan |
| 13. 气扫装置 | 13.air sweeping device |
| 14. 电加热器 | 14.electric heater |
| 15. 气扫风机 | 15.fan for air sweeping |
| 16. 水膜除尘器 | 16.duster |
| 17. 除湿机 | 17.damp remover |



扫壁系统
Sweeping system



控制系统
Control System



冷冻除湿冷却系统
Desiccant cooling system freezing

技术参数 Technical parameters

型号spec	ZPG-5	ZPG-10	ZPG-25	ZPG-50	ZPG-80	ZPG-100	ZPG-150	ZPG-200	ZPG-300	
水份蒸发量 evaporation capacity(kg/h)	5	10	25	50	80	100	150	200	300	
料液处理量 process amount of material liquid(kg/h)	6-7	12-14	25-34	50-68	80-108	100-135	150-203	200-270	300-406	
成品含量 output of finished product(kg/h)	1-2	2-4	4.8-7.2	9.2-14	14.8-22.4	18.4-28	24-42	36.8-56.4	55-85	
湿物料含固量 solid content of material liquid(%)	18-25									
成品含水率 moisture content of finished product(%)	3-5									
电功率 electric power(kw)	36	45	63	132	153	204	246	330		
加热源 heat source	蒸汽加热 Steam plus electricity									
产品捕集方式及效率 collecting method of product and its efficiency	两级旋风除尘器或一级旋风除尘器及一级湿式除尘器≥95% Two-grade cyclone or one-grade cyclone and one-grade web-method dedusted of 95%									
自控仪表 automatic control meters and instruments	热风温度及排风温度指标, 自动调节温控仪 indicator of hot air and exhaust air temperature									
进风温度 temperature of air inlet(°C)	150-200									
出风温度 temperature of air outlet(°C)	80-100									
外形尺寸 overall dimensions(mm)	长L	5000	5500	7000	8000	9800	11000	12200	14100	15000
	宽W	3000	3500	4000	5000	5700	6200	7000	7800	9000
	高H	4500	4600	5200	6500	7600	8100	9000	9850	11100

注: 部分参数设计时视不同物料有所调整, 以设计为准。

FL Series Fluidized Granulator

FL 系列沸腾制粒干燥机

应用 Application

- 制药工业中的造粒: 片剂颗粒、冲剂颗粒、胶囊剂颗粒。
 - 食品工业的造粒: 可可、咖啡、奶粉、颗粒果汁、调味品等。
 - 其他行业的造粒: 农药、饲料、化肥、颜料、染料化工等。
 - 粉状或颗粒状湿物料的干燥。
 - 包衣: 颗粒、丸剂保护层、包色、缓释、薄膜、肠溶包衣等
- Pharmaceutical industry: tablet, capsule, low sugar or no sugar granule of chinese medicine.
 - Foodstuff: cocoa, coffee, milkpowder, juice of granulate, flavoring and so on.
 - Other industries: pesticide, feed chemical fertilizer, pigment, dyestuff and so on.
 - Pharmaceutical industry: power or granule material.
 - Coating: Granule, protecting coat of pellet, spare color, slow release film, bowel-dissolve coating, ect

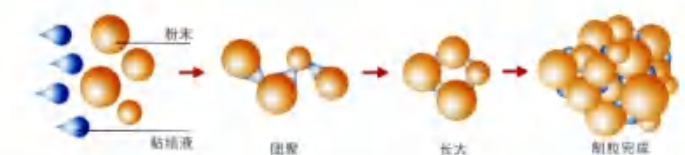
特点 Features

- 通过粉体造粒, 改善流动性, 减少粉尘飞扬;
- 通过粉体造粒改善其溶解性能;
- 混合、制粒、干燥在一机内完成一步法制粒;
- 采用抗静电滤布, 设备操作安全;
- 设置压力泄放孔, 一旦发生爆炸, 设备人员不受伤害;
- 设备无死角, 装卸料轻便快速, 冲洗干净, 满足GMP规范。
- Through powder Granulation, the fluidity is improved and the dust is reduced;
- Through powder Granulation, its solving property is improved;
- The mixing, Granulation and drying can be completed in one step inside the machine;
- The operation of equipment is safe because the anti static filtering cloth is adapted;
- The operating personnel can not be damaged if explosion take place because there is releasing hole;
- The equipment has no dead corner. Therefore the loading and unloading are quick and light and clean. It can meet the requirements of GMP.

工作原理 Principle of work

物料粉末粒子, 在原料容器(流化床)中呈环形流化状态, 受到经过净化后的加热空气预热和混合, 将粘合剂溶液雾化喷入, 使若干粒子聚集含有粘合剂的团粒, 由于热空气对物料的不断干燥, 使团粒中水分蒸发, 粘合剂凝固, 此过程不断重复进行, 形成理想的、均匀的多微孔球状颗粒。

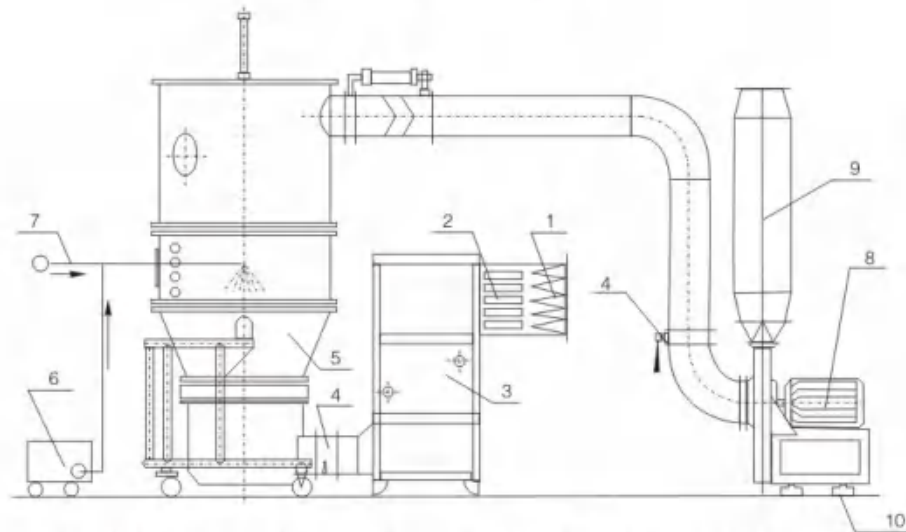
The powder granule in the container (fluidization) appear in the state of fluidization. It is preheated and mixed with clean and heated air. At the same time the solution of adhesive solvent is fogged and sprayed into the container. It makes the some particles become granulating that contains adhesive. Being of unceasing dry through hot air, the moisture in the granulation is evaporated and the adhesive is solidification. The process is carried out continuously. Finally it forms ideal, uniform and Porous granules.



FL Series Fluidized Granulator

FL 系列沸腾制粒干燥机

工艺流程
Technological process



- | | | | |
|-----------|---------|----------------------|--------------------------|
| 1. 中效过滤器 | 6. 输液泵 | 1. Mid-effect filter | 6. Liquid feeding pump |
| 2. 亚高效过滤器 | 7. 压缩空气 | 2. Postfilter | 7. Compressed air |
| 3. 加热器 | 8. 引风机 | 3. Heater | 8. Vacuum fan |
| 4. 调风阀 | 9. 消音器 | 4. Distributor | 9. Silencer |
| 5. 流化床 | 10. 减震器 | 5. Fluidized bed | 10. Vibration eliminator |

技术参数 Technical parameters

项目Item	单位Unit	机型type									
		3	5	15	30	60	120	200	300	500	
原料容器 Container	容量Volume	L	12	22	45	100	220	420	670	1000	1500
	直径Diameter	mm	300	400	550	700	1000	1200	1400	1600	1800
生产能力 Capability	最小Min	Kg	1.5	4	10	15	30	80	100	150	250
	最大Max	Kg	4.5	6	20	45	90	160	300	450	750
风机Fan	风量Capacity	m ³ /h	1000	1200	1400	1800	3000	4500	6000	7000	8000
	风压Pressure	mmH ₂ O	375	375	480	480	950	950	950	950	950
	功率Power	kw	3	4	5.5	7.5	11	18.5	22	30	45
蒸汽消耗量Steam expenditure	Kg/h	9	12	42	70	141	180	282	366	451	
压缩空气耗量Compressed air expenditure	m ³ /min	0.3	0.35	0.6	0.6	0.9	0.9	1.1	2.0	2.4	
主机重量Weight of the main body	Kg	500	700	900	1000	1100	1300	1500	1800	2000	
蒸汽压力Steam pressure	Mpa	0.3 ~ 0.6									
温度Temperature	°C	室温-120°C范围内可调节 (adjustable at the range from room temperature to 120°C)									
作业时间Working time	min	随物料特性而定45-90 (decided in accordance with the properties of raw materials)									
物料收得率Field	%	≥99									
噪声Noise	dB(A)	风机与主机隔离安装, 噪声≤75dB(A)(When installation, main machine is separated from fan)									
主机外型尺寸Size(L×W×H)	m	1.0×0.6 ×2.1	1.2×0.7 ×2.1	1.25×0.9 ×2.5	1.6×1.1 ×2.5	1.85×1.4 ×3	2.2×1.65 ×3.3	2.34×1.7 ×3.8	2.8×2.0 ×4.0	3×2.25 ×4.4	

FLP Series Fluid-bed Granulator/pelletor/coater

FLP 多功能包衣制粒机



Description

FLP Granulator/Coater/Pelletor is multi-function equipment integrated spray drying-granulating-centrifugal spray coating-fluid coating-drying in one body. The machine combines various process operations. Particularly it is suitable for granulating, pelleting and coating of various varieties in pharmaceutical industry, foodstuff industry and chemical industry, etc.

特点

- 集制粒、制丸、包衣多种功能于一体。
- 粉体物料制粒。
- 粉体物料包衣。
- 粉体物料制丸。
- 中药喷雾制粒及包衣。
- 制备10-30目大颗粒冲剂。
- 粉体、颗粒、丸的薄、肠溶、缓控释包衣。
- 掩味、防潮、防氧化、防水、隔热、着色、隔离包衣。
- 粉状、粒状、团状物料干燥。

Features

- Multi-function such as granulating, pelleting, coating in one machine.
- Powder material granulating.
- Powder material coating.
- Powder material pelleting.
- Chinese medicine spray drying, granulating and coating.
- Make 10-30 meshes big granule.
- Film coating of Powder, granules and pellets, enteric release, slow and control release coating.
- Taste masking, odor, moisture-proof, anti-oxidation, prevent water, heat insulation, coloration and separation coating.
- Powder, granule, agglomerate material drying.

概述

FLP多功能制粒包衣机是集喷雾干燥-制粒-离心制丸-流化包衣干燥于一体的多功能设备。兼容多种工艺操作。特别适用于医药、食品、化工等行业多品种、多剂型制粒、制丸及包衣。

设备可选流化床特点 Fluid beds for choose



顶喷制粒床
Top spray granulating



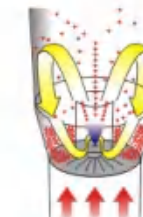
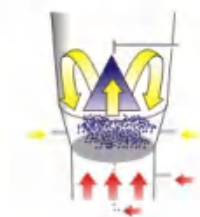
底喷包衣床
Bottom spray coating



旋流流化床
Turbjet granulating/coating

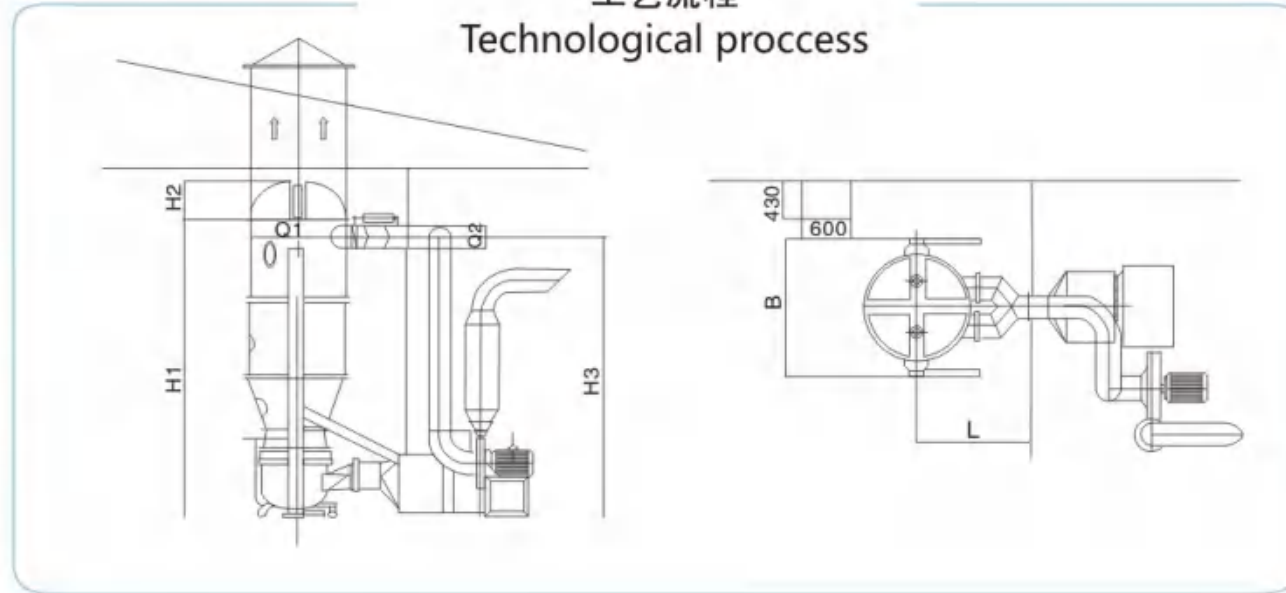


侧喷制丸包衣机
Centrifugal spray pelleting/coating



FLP Series Fluid-bed Granulator/pelletor/coater FLP 多功能包衣制粒机

工艺流程 Technological process



技术参数 Technical parameters

项目 item		机型 (FLP) Model/specifications								
名称 name	单位 unit	10	15	20	30	45	60	90	120	
容器直径 dia of container	mm	700	800	900	1000	1100	1200	1400	1500	
生产能力 productive capacity	kg/批 kg/batch	2.5-10	3-15	5.20	7.5-30	10-45	15-60	20-90	30-120	
风机功率 power of fan	kw	5.5	7.5	7.5	7.5	11	11	15	18.5	
蒸汽 steam	压强 pressure	Mpa 0.4-0.6								
	耗量 consumption	Kg/h 35 42 47 60 140 160 180 240								
压缩空气 compressed air	压强 pressure	Mpa 0.6								
	耗量 consumption	m ³ /min 0.6 0.6 0.6 0.9 0.9 1.1 1.3 1.5								
噪音 noise	dB	风机处理不大于75分贝 No more than 75bt separated of fan								
主机尺寸 installation size for reference	H ₁ (mm)	2790	3350	3650	3720	3720	3850	3950	4190	
	H ₂ (mm)	340	490	540	590	640	690	740	790	
	H ₃ (mm)	2570	3130	3430	3500	3500	3630	3720	3975	
	Φ ₁ (mm)	700	1000	1000	1200	1300	1400	1500	1600	
	Φ ₂ (mm)	250	250	250	280	280	280	280	315	
	L(mm)	1250	1400	1450	1500	1550	1600	1650	1700	
	B ₁ (mm)	1160	1460	1560	1600	1760	1860	1960	2060	
	B ₂ (mm)	1860	2460	2660	2860	3060	3260	3460	3660	

所有数据仅供参考, 视物料情况, 本公司有变更权利, 并不另行通知。
All dates are used for reference only. According to the condition of material our factory has the right to change but not notice, pardon.

GFZL Series Dry Granulating Set GFZL 系列干法辊压式制粒机

概述

GFZL系列干法辊压制粒机是我公司根据用户需要, 在吸收国外先进粉体造粒技术的基础上精心研制开发的新型制粒设备, 该设备能够将粉体原材料直接制成满足用户要求的颗粒状产品, 期间无需添加任何中间体及添加剂, 造粒后的产品粒度均匀, 堆积密度显著提高, 同时, 可有效控制污染, 减少粉料浪费。设计科学, 结构紧凑, 工艺过程简单, 操作使用方便, 是您粉体产品造粒的理想选择。

Description

GFZL series dry-power pelletizer is a newly-designed pelletizing machine developed and manufactured by our company in accordance with the needs of customers and on the basis of absorbing the foreign advanced technology. This kind of equipment can make the powder material become the granular solid. During the process, no additive and mediate are added. After pelletizing, the grain size is even and bulk density increases. Meanwhile, it can control the pollution efficiently, reduce the waste of power material. The design of it is scientific, structure is compact, technological process is simple and operation is easy. It is an ideal for you to choose a pelletizing machine.

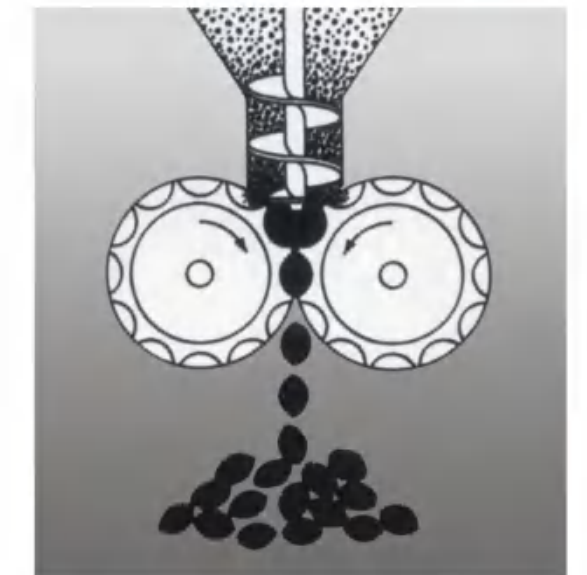
应用 Application

石油化工 Oil & chemical 生物工程 Biosynthesis
精细化工 Fine chemical 医药 Medicine
农药 Agrochemical 化肥 Fertilizer
金属粉末 Metallic power 食品 Foodstuff
矿产, 煤炭 Mine, Coal mine

技术参数 Technical parameters

项目 item	参数 data	型号 model	GFZL-1	GFZL-2	GFZL-3	GFZL-4	GFZL-5
轧辊直径 diameter of roller	(mm)		Φ240	Φ240	Φ300	Φ360	Φ480
轧辊有效使用宽度 width of roller	(mm)		80	160	250	360	480
轧辊转速 rolling rate of roller	(rpm)		8-20	8-20	8-20	8-20	8-20
最大成形压力 max pressure of roller	(t)		50	60	80	100	130
轧辊最大厚度 max thickness of roller	(mm)		4	5	6	8	8
轧片产量 output of pressed sheets	(kg/h)		250-500	500-900	700-2000	1000-1400	2000-7400
成品粒度 diameter of the products	(mm)		0.2-5	0.2-5	0.2-8	0.2-8	0.2-8
成品产量 output of product	(kg/h)		80-150	150-300	300-600	600-1000	1000-2000
主机功率 main motor power	(kw)		7.5	11	15	22	30
总功率 total power	(kw)		13	21	30	46	60
外形尺寸 (长x宽x高) overall dimension	(mm)		1500 × 2000 × 3800	1700 × 2000 × 4000	2000 × 2500 × 4200	2500 × 2500 × 5200	2800 × 2600 × 6000
重量 weight(t)			7	8	10	14	20

注: 1. 轧片产量以料片密度1500kg/m³, 轧辊转速20rpm计算。
2. 成品产量以成粒量50%计算。
3. 成品粒度通过改变破碎整粒机的筛板孔径可在较大范围调整。



在压块时, 粒状物料在两个反向旋转的辊子之间被压实, 压块可使用粘剂。

GHL Series High Speed Mixing Granulator GHL 系列高速湿法混合制粒机



特点

- 本机采用卧式圆筒构造, 结构合理。
- 充气密封驱动轴, 清洗时可切换成水。
- 流态化造粒, 成粒近似球形, 流动性好。
- 较传统工艺减少25%粘合剂, 干燥时间缩短。
- 每批次干混2分钟, 造粒1-4分钟, 工效比传统工艺提高4-5倍。
- 在同一封闭容器内完成, 干混-湿混-制粒, 工艺缩减, 符合GMP规范。

Features

- The machine adapts a practical horizontal cylinder structure.
- The driving shaft is equipped with inflatable seal. While washing, the air can be replaced by water.
- Fluidized granulating process is used and the final granules are quite round with high fluidity.
- Compared with traditional technique, this type of machine can reduce 25% of adhesive and also shorten the drying time.
- For each batch of material, with 2 minutes' dry mixing and 1-4 minutes' granulating, the efficiency is 4-5 times higher than that of traditional technique.
- Dry mixing, wet mixing and granulating are finished inside the same sealed container, which is in conformity with the requirements of GMP.

技术参数 Technical parameters

名称 Name	规格 Specification						
	50	150	200	250	300	400	600
容积 Capacity (L)	50	150	200	250	300	400	600
产量 Output (kg/batch)	15	50	80	100	130	200	280
混合速度 Mixing speed (r.p.m)	200/400	180/270	180/270	180/270	140/220	106/155	80/120
混合功率 Mixing power (kw)	4/5.5	6.5/8	9/11	9/11	13/16	18.5/22	22/30
切割速度 Cutting speed (r.p.m)	1500/3000	1500/3000	1500/3000	1500/3000	1500/3000	1500/3000	1500/3000
切割功率 Cutting power (kw)	1.3/1.8	2.4/3	4.5/5.5	4.5/5.5	4.5/5.5	6.5/8	9/11
压缩空气耗量 Amount of compressed air (m ³ /min)	0.6	0.9	0.9	0.9	1.1	1.5	1.8

ZL Series Revolving Granulator ZL 系列旋转式制粒机

概述 Description

本机主要适用于制药、化工、食品等行业。将微潮湿的粉料碾挤成颗粒, 亦可粉碎费片和干块并碾挤成颗粒。
The machine is mainly applied for pharmaceutical chemical and foods tuff industries to grind wet powder into granules as well as to grind dry block into granules.

原理 Principle

通过机械传动使碾刀和压料叶作相向旋转, 压料叶成一定角度使物料向下压入碾刀, 碾刀上的大角螺旋叶将物料推向筛筒筒壁。再通过刀片将物料从筛孔挤出制成颗粒。

The material press sheet presses raw material with a certain angle to knives that are rolling visavis due to mechanical driving. The big angle screw sheets on knives will push materials to sieve sides which will extrude them into granules.



技术参数 Technical parameters

型号 Model	250	300B	300D
生产能力 (kg/h) Capacity	100-200	140-400	300-600
制粒直径 (Φ mm) Granule diameter (可根据客户要求)	2-2.2	1.2-3	0.5-6
功率 (kw) Power	3	4	7.5
重量 (kg) Weight	350	400	780
外形尺寸 (mm) Overall Size 长 × 宽 × 高 L × W × H	700 × 540 × 1300	880 × 640 × 1300	1300 × 800 × 1200

GZL High Efficiency Extruding Granulator GZL 高效旋转制粒机

概述 Description

本机采用特制行星减速机构, 筛网和整粒刀各自相对旋转运动, 将物料在整粒刀和筛筒之间挤搓, 轻松从筛筒上的网孔中形成圆柱条状, 在筛筒外的切割刀割下形成大小均匀、长度一致的颗粒, 其颗粒的大小长度由筛筒网孔径和切割刀把数间隔来决定。



The machine uses specially star type decelerator, strainer and the granulating knife moved oppositely. Pushes the material between impeller and sieve, it could easy to get column shape product from sieve. Scrape impeller outside the sieve makes the product into uniform size, consistent length pellet, its pellets size and length are decided by size of sieve and scrape impeller.

技术参数 Technical parameters

型号 Type	GZL-250	GZL-360
额定产量 capacity (kg/h)	150kg/h-300kg/h	200kg/h-500kg/h
重量 Weight (kg)	600kg	800kg

YK Series Swaying Granulator YK 系列摇摆式制粒机

概述

本机适用于制药、食品、化工、固体饮料等行业的制粒，将搅拌好的物料制成所需尺寸的颗粒，或将结块状物料打成小颗粒。

技术参数 Technical parameters

型号 model	YK160A、B型	YK160C型	YK250型
生产能力 (kg/h)	100-200	150-300	300-500
电机功率 (kw)	3	4	5.5
滚筒直径 (mm)	Ø160	Ø160	Ø160
重量 (kg)	300	450	550
外形尺寸 (mm)	1150x680x1150	1260x750x1150	1400x800x1200

注：表中产量因物料比重大小差异其产量仅供参考。
Notes: The output listed in the table is for reference only because of the difference of the specific gravity and mesh.

Description

The machine is suitable for pharmaceutical, foodstuff, chemical, solid drink and so on industries. It can make the stirred raw materials become granule with needed size or crush the blocked raw materials into small granule.



KZL Series High Speed Grinding Granulator KZL 系列快速整粒机

概述 Description

- 工作时发热小，粉尘少。
- 定子筛网由不锈钢板加工而成，不易损坏。
- 粉碎刀与筛网间隙可调。
- 可处理粘性、树胶状、热敏性和湿润物料。
- There is less heat and dust in work.
- The fixed screen is made from stainless steel and it can not damage easy.
- The gap between crush knives and screen can be adjusted.
- It can treat adhesive, glue, hot and wet raw materials.



应用 Application

- 本机适用于中西药、食品、化工颜料及饲料等行业中颗粒的破碎及整理。
- 经各种造粒工艺及设备所得到的颗粒形状及规格各异。将造粒后的颗粒经本机高速旋转的刀片组合切割后，经网板出，便可得到形状及规格基本一致的颗粒。
- 本机全部零件均采用不锈钢制造，表面抛光，装拆与清洗十分方便。

- This machine is suitable for crushing and processing granule of Chinese traditional medicine, Western medicine, foodstuff, chemicals, pigments, feedstuff and so on.
- The specifications and shapes of granule made by all kinds of granulating process and different granulator are different. The granule with basic similar shape and specification can be got when the granulated granule is cut by knives with high speed in this machine.
- All parts in this machine are made of stainless steel. Its assembling and disassembling and cleaning are very convenient.

技术参数 Technical parameters

型号 model	100	180	300
定子直径(mm)stator diameter	100	180	300
定子长度(mm)stator length	96	178	305
生产能力(kw)productivity	20-150	100-1500	500-2500
功率(kw)power	0.75	1.5	5.5
转速(rpm)speed	180-1400	175-1400	200-1400

SET Series Single/Double-Screw Extruding Granulator SET 系列单/双螺杆挤压造粒机

概述 Description

在固体与液体共存并以固体为主的分散体中，利用分散体的自粘性（或外加粘性），通过强制方式（如挤压、重力、离心力、机械力、气流冲击力等）使固体粉料基本微粒相互粘接、增大，并形成一定形状和粒度均匀、集中的颗粒群。湿法造粒成套装置主要由混合（捏和）、造粒、干燥及其辅助系统设备构成。粉料经混合（捏和）后，进入造粒机形成所需粒度的含湿产品，经干燥得到颗粒状成品，从而实现造粒的目的。

SET型系列双螺杆挤出造粒机分前出料式和侧出料式，前出料式造粒直径一般在1.5-12mm之间选择，侧出料式造粒直径一般在0.7-2.0mm之间选择，颗粒形状为圆柱形，成粒率≥95%。



In the dispersed system of coexistent composition of solid power and liquid, besides with solid phase on the former, make use of the self cohesiveness of the dispersed system (or add binder) to make basic partials of solid powder bind each other and increase to form mass granule with uniform fair-size by means of exerting force) such as extruding force, gravity, centrifugal force, impulsive force, gravity, centrifugal force, mechanical force, impulsive force air flowed.

Complete sets of equipment for wet granulation mainly consist of equipment for mixing, granulating, dry in and auxiliary system. Powder material being mixed is delivered into granulator sideband then to get end granular product through drying, thus achieving the goal of granulation.

SET Type Double-Screw Granulator has two models of front and side for material to be extrude out. Diameters of granular product granulated by front model may be normally selected between 1.5mm-12mm, and by side model can be normally selected between 0.7mm-2.0mm. Granules are cylindrically shaped. The rate of end product is equal to more than 95%.

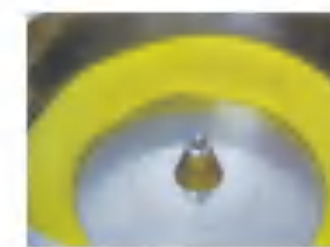
技术参数 Technical parameters

型号 model	螺杆直径 screw dia	电机功率 power(kw)	转速 revolution (rpm)	外形尺寸 overall size L x D x H(mm)	设备重量 weight(kg)
SET-100	100	7.5	11-110	2000 x 500 x 1000	810
SET-140	140	15	11-110	1920 x 800 x 1430	810
SET-180	180	22	11-110	3000 x 870 x 880	810

QZL Pelletizer QZL球形抛丸机

本机是通过设置旋转离心盘、鼓风机、气动喷枪，将湿颗粒制成美丽的球丸。将前道工序做成的湿颗粒投入旋转离心盘内，启动鼓风机后再将旋转离心盘启动，使湿颗粒受到环隙空气浮力、旋转离心力、自身重力作用，呈环周绳状运动，从而形成真球度极高的球丸。

This machine makes damp granule into beautiful pellet by setting rotating centrifugal disk, blower, and pneumatic nozzle. Feed damp granule into rotating centrifugal disk, start fan then start rotating centrifugal disk. It can make the damp granule in float and circle by the air from gap, rotating centrifugal strength and itself gravity, appear circle rope-turning movement and become high-round pellet.



技术参数 Technical parameters

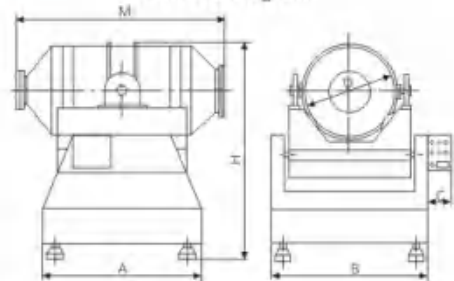
规格 spec	单位 unit	Φ230	Φ400	Φ500	Φ700	Φ1000	Φ1300
动力 power	Kw	0.75	2.2	3	3.7	5.5	7.5
能力 capacity	Kg/h	2.5-4	5-8	8-16	40-80	120-200	150-300

所有尺寸仅供参考，视物料情况，本公司有变更权利，并不另行通知。
All sizes are used for reference only. According to the condition of material our factory has the right to change but not notice, pardon.

EYH Series Two Dimensional Mixer EYH 系列双臂传动二维运动混合机



外形示意图
Structure Diagram



技术参数 Technical parameters

型号	料筒容积 (L)	装料容积	最大装料量	转动次数	电机总功率	外形尺寸	总重量	料筒重量
EYH-600	600	360	150	605/12.1	1.1/1.5	1200*2200*2050*1900	1150	140
EYH-800	800	480	200	6.18/11.6	1.5/1.5	1400*2700*2230*1930	1600	200
EYH-1000A	1000	600	250	5.28/10.87	1.5/1.5	1450*2850*2300*2000	1700	240
EYH-1500A	1500	900	375	4.13/8.45	2.2/3	1720*3170*2450*2100	2000	320
EYH-2000A	2000	1200	500	4.1/7.6	3/4	1820*3600*2650*2300	2600	430
EYH-3000A	3000	1800	750	3.68/6.83	4/5.5	2070*3700*3150*2800	3500	620
EYH-4000A	4000	2400	1000	3.46/6.8	5.5/7.5	2200*3900*3250*2900	4100	700
EYH-6000A	6000	3600	1500	3.31/6.74	7.5/11	2500*4500*3350*3000	6100	1100
EYH-8000A	8000	4800	2000	3.2/6.4	11/11	2700*4800*3650*3200	7900	1450
EYH-10000A	10000	6000	2500	3.15/6.2	11/15	2900*5050*3750*3300	9500	1650
EYH-12000A	12000	7200	3000	3.1/5.9	15/18.5	3150*5600*4350*3850	10000	1800
EYH-15000A	15000	9000	3750	2.9/5.3	18.5/22	3350*5800*4350*3850	11000	2000
EYH-20000A	20000	12000	5000	2.8/4.5	22/30	3600*6100*4850*4450	12000	2500

物料堆积比重按0.6g/cm³计算, 如超出, 订货时请标明
The bulk density of material is made based on 0.6g/cm³. Please point out if it's over.

原理 Principle

EYH系列二维运动混合机主要由转筒、摆动架、机架三大部分构成。转筒装在摆动架上, 由四个滚轮支撑并由两个挡轮对其进行轴向定位。在四个支撑滚轮中, 其中两个传动轮由转动动力系统推动使转筒产生转动; 摆动架由一组曲柄摆杆机构来驱动, 曲柄摆杆机构装在机架上, 摆动架由轴承组件支撑在机架上。

Principle

EYH Series Two Dimensions mixer mainly consists of three big parts: rotating cylinder, swinging rack and frame. The rotating cylinder lies on the swinging rack, supported by four wheels and its axial fixation is done by two stop wheels. Two of four wheels are driven by rotating system to make the cylinder rotate. The swinging rack is driven by a set of crankshaft swinging bar which is mounted on the frame and the swinging rack is supported on the frame.

特点

EYH型二维运动混合机的转筒可同时进行二个运动, 一个为转筒的自转, 另一个为转筒随摆动架的摆动。被混和物料在转筒内随转筒转动、翻转、混和的同时, 又随转筒的摆动而发生左右来回的掺混运动, 在这两个运动的共同作用下, 物料在短时间内得到充分的混和。混合筒的出料带有螺旋叶片, 使混合机具有混合迅速、混合量大、出产便捷等特点。EYH二维混合机适合所有粉、粒状物料的混合。本设备经过我公司技术改进使用双臂传动摇摆床, 比一般单臂传动稳重, 间接传动减轻减速机负荷, 延长使用寿命。机架采用全封闭结构便于清洗符合GMP标准。

Features

The rotating cylinder of EYH Two Dimensionals Mixer can achieve two motions at the same time. One is the rotation of the cylinder and the other is swinging of the cylinder along the swinging rack. Materials to be mixed will be rotated when the cylinder is rotating, and will be mixed from left to right and vice versa when the cylinder is swinging. As the result of these two motions, materials can be mixed fully in a short time. EYH Two Dimensions Mixer is suitable for mixing of all powder and granule materials.

SYH Series Three Dimensional Mixer SYH 系列三维运动混合机

应用 Application

SYH系列三维运动混合机广泛应用于制药、化工、食品、冶金、轻工及科研单位, 能非常均匀地混合流动性较好的粉状或颗粒状的物料, 使混合后的物料能达到最佳混合状态。

This machine is suitable for many industries such as pharmaceutical industry, chemical industry, metallurgy industry, foodstuff industry, architecture industry and institutes. It can mix powder and granule raw materials having good fluidity and make the mixed raw materials reach the best mixing state.

特点 Features

由于混合桶体具有多方向的运动, 使桶体内的物料交叉混合点多, 混合效果好, 均匀度可达99.9%以上, 最大装载系数可达0.9 (普通混合机为0.4~0.6), 混合时间短, 效率高。

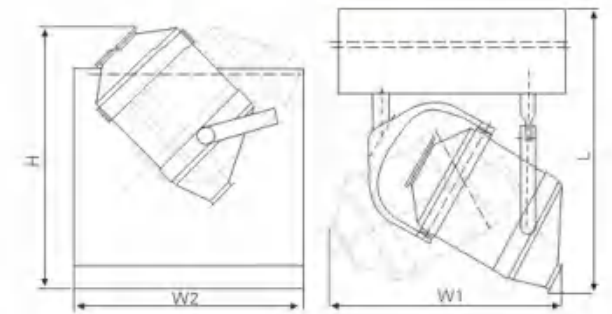
该机混合桶体设计独特, 桶体内壁经过精细抛光, 无死角, 不污染物料, 出料方便, 清洗容易操作简单等优点。

Because the mixing drum has multi directional motion, it makes raw material inside the drum has many cross-mixing points, therefore the mixing effect is good. Its degree of uniformity may be over 99.9%. Its Max loading efficiency may be 0.9 (The loading efficiency of ordinary mixer is 0.4-0.6). Its mixing time is short and its efficiency is high. The design of mixing drum is unique. Its inner wall is polished finely. Its advantages are no dead corner, no pollution to raw material, convenient in discharge, easy in clean and so on.

工作原理 Principle of work

该机在运行中, 由于混合桶体具有多方向运动, 使各种物料在混合过程中加速了流动和扩散作用, 同时避免了一般混合机因离心力作用所产生的物料比重偏析和积聚现象, 混合无死角, 能有效确保混合物料的最佳品质。

结构: 该机由机座、传动系统、电器控制系统、多向运动机构、混合筒等部件组成。与物料直接接触的混合筒采用优质不锈钢材料制造, 桶体内、外壁均经镜面抛光。



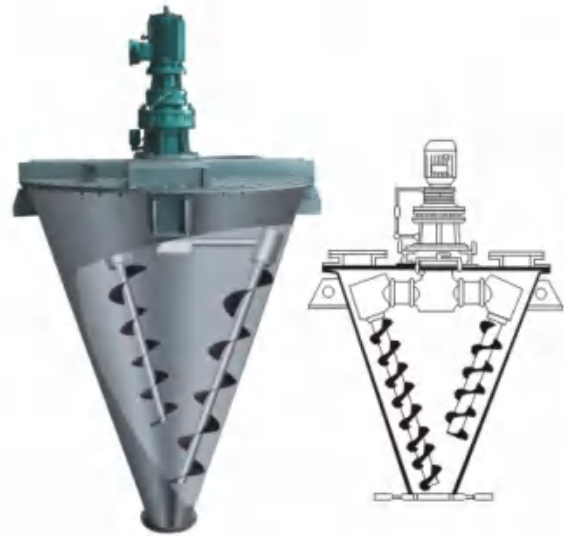
During the period of operation, because the mixing drum has multi-directional actions of motion, it speeds up the fluid and diffused effect of raw material. Meanwhile it avoids the phenomenon of segregation and accumulation caused by centrifugal effect in ordinary mixer and no dead corner. It can guarantee the best quality of mixed raw material.

Structure: this machine consists of stand, transmission system, electric control system, multi-directional motion mechanism, mixing drum and so on. The mixing drum contacted with raw material is made of stainless steel. The inner and outer wall of drum is polished.

技术参数 Technical parameters

型号 type	SYH-15	SYH-50	SYH-100	SYH-200	SYH-400	SYH-600	SYH-800	SYH-1000	SYH-1200	SYH-1500	
混合桶容积 Material barrel volume (L)	15	50	100	200	400	600	800	1000	1200	1500	
最大装载容积 Max loading volume (L)	12	40	80	160	320	480	640	800	960	1200	
最大装载重量 Max loading weight (kg)	6	20	40	80	160	240	320	400	480	600	
主轴转速 Spindle rotation speed (r/min)	0-28					0-8					
电机功率 Motor power (kw)	0.37	1.1	1.5	2.2	4	5.5	7.5	7.5	11	11	
外型尺寸 Overall dimensions (mm)	L	750	1400	1700	1800	2100	2400	2600	2650	3100	
	W	1000	1000	1200	1400	1800	2200	2380	2500	2850	
	H	700	1200	1500	1600	1950	2350	2500	2600	2750	3000
	W2	650	850	1250	1350	1650	1750	2000	2100	2200	2250
重量 Weight (kg)	200	300	500	800	1200	1500	2000	2500	3000	3500	

DSH Series Double-screw Conical Mixer DSH 系列双螺旋锥形混合机



概述 Description

由螺旋的公、自转使物料在锥体内产生复合运动, 主要产生四种运动形式:

1. 螺旋沿壁公转, 使物料沿锥壁作圆周运动;
2. 螺旋自转使物料自锥底沿螺旋上升;
3. 螺旋的公、自转复合运动使一部分物料被吸收到螺旋圆柱面内同时受螺旋自转的离心力作用使螺旋圆柱面内的一部分物料向锥体径向排放;
4. 上升的物料受自身重力作用下降。四种运动在混合机内产生对流、剪切、扩散、从而达到快速均匀混合的目的。

The material is made to conduct a compound motion in the cone because of the rotation and revolution of the screws. The effected motions include:

1. The revolution of the screw along the wall making the material conduct a circumferential motion;
2. The rotation of the screw making the material rise along the screw from the cone bottom;
3. The compound motion of the rotation and revolution of the screws making partial, material be absorbed into the screw cylindroid meanwhile, under the action of centrifugal force, the partial material in the screw cylindroid discharges radially.
4. The rised material drops under its sole weight. The four kinds of Motions effect convection, shearing, diffusion in the cone, thus quick and even mixing can be Achieved.

应用 Application

应用于化工、医药、农药、染料、石油、冶金、建材等粉体与粉体(固-固), 粉体与液体(固-液), 液体与液体(液-液)混合、反应、干燥、冷却。

It is suitable for chemical industry, pharmaceutical industry pesticide, dyestuff, petroleum industry, metallurgical industry, construction material and etc. Such as in the mixing, reaction, drying, cooling of powder and powder(solid-solid), powder and liquid (solid-liquid), liquid and liquid (liquid-liquid).

技术参数 Technical parameters

型号 type	全容积 Total volume (m ³)	装载系数 Load factor	装机功率 Equipped power Kw	操作条件 Operating conditions	外形尺寸 Overall dimension(mm)	重量 Weight (kg)
DSH-0.1	0.1	≤0.6	1.5	常温常压粉尘密封	1569 φ702	250
DSH-0.3	0.3	≤0.6	2.2	常温常压粉尘密封	1929 φ920	550
DSH-0.5	0.5	≤0.6	3	常温常压粉尘密封	2322 φ1124	660
DSH-1.0	1.0	≤0.6	4	常温常压粉尘密封	2869 φ1480	1200
DSH-1.5	1.5	≤0.6	5.5	常温常压粉尘密封	3140 φ1633	1350
DSH-2.0	2.0	≤0.6	5.5	常温常压粉尘密封	3489 φ1816	1500
DSH-3.0	3.0	≤0.6	7.5	常温常压粉尘密封	3747 φ2210	2300
DSH-4.0	4.0	≤0.6	11	常温常压粉尘密封	4362 φ2280	2520
DSH-5.0	5.0	≤0.6	15	常温常压粉尘密封	4576 φ2402	3000
DSH-6.0	6.0	≤0.6	15	常温常压粉尘密封	4900 φ2582	3150
DSH-8.0	8.0	≤0.6	18.5	常温常压粉尘密封	5405 φ2805	4500
DSH-10	10	≤0.6	22	常温常压粉尘密封	5795 φ3018	5500
DSH-15	15	≤0.6	30	常温常压粉尘密封	6475 φ3450	6600
DSH-20	20	≤0.6	37	常温常压粉尘密封	7535 φ3805	7000
DSH-25	25	≤0.6	37	常温常压粉尘密封	7995 φ4078	8500
DSH-30	30	≤0.6	52.5	常温常压粉尘密封	8385 φ4330	9200

SZH Series Double Conical Mixer SZH 系列双锥混合机



应用

本机适用于医药、化工、食品、建材等行业的粉状、粒状物料的混合。

Application

It is suitable for mixing the powder and grain state materials in the pharmacy, chemical food, building material and other industries.

特点

- 本机将粉末或粒状物料通过真空输送或人工加料到双锥容器中, 随着容量的不断旋转, 物料在容器中进行复杂的撞击运动, 达到均匀的混合。
- 本机节约能源、操作方便、劳动强度低、工作效率高。

Features

- Through the vacuum conveyor for the machine, send the powder or grain state materials into the double-taper container, or send the materials into the container manually.
- As the container rotates continuously, the materials moves complexly in the container so as to get the uniform mixing.

技术参数 Technical parameters

型号 Model	全容积 Total volume (m ³)	生产能力 Productive capacity (kg/批)	混合时间 Mixing time (min)	筒体转速 Revolution of cylinder (rpm)	功率 Power (kw)	外形尺寸 Overall dimension(mm)	回转总高度 Rotation height (mm)	重量 Weight (kg)
180	0.18	90	4-8	12	1.1	1400 × 800 × 1850	1850	280
300	0.3	150	6-10	12	1.1	1685 × 800 × 1850	1850	310
500	0.5	250	6-10	12	2.2	1910 × 800 × 1940	1950	550
1000	1.0	500	6-10	12	3	2765 × 1500 × 2370	2460	810
1500	1.5	750	6-10	10	4	2960 × 1500 × 2480	2540	980
2000	2.0	1000	6-10	7-10	5.5	3160 × 1900 × 3500	3590	1500
2500	2.5	1250	6-10	7-8	7.5	3386 × 1900 × 3560	3650	2150
3000	3.0	1500	6-10	7-8	7.5	4450 × 2200 × 3600	3700	2500
4000	4.0	2000	6-10	7-8	11	4750 × 2500 × 3680	3730	3200

VHJ Series Mixers

VHJ 系列混合机

概述 Description

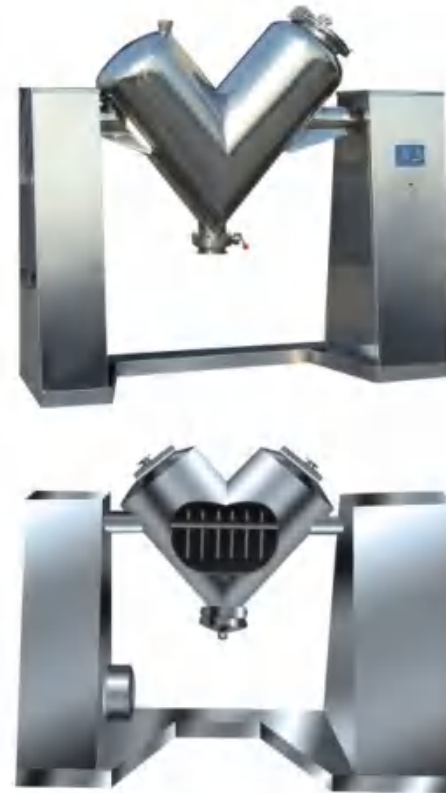
本机适用于制药、化工、食品等行业两种以上干粉状、颗粒状物料的混和。

该机混和筒结构独特, 混和效率高、无死角, 采用不锈钢材料制作, 内外壁抛光处理, 外形美观, 混和均匀, 适用面较宽, 并能根据用户的要求配套强制制搅拌器, 以适合较细的粉粒、块状、含有一定水份的物料混合之用。

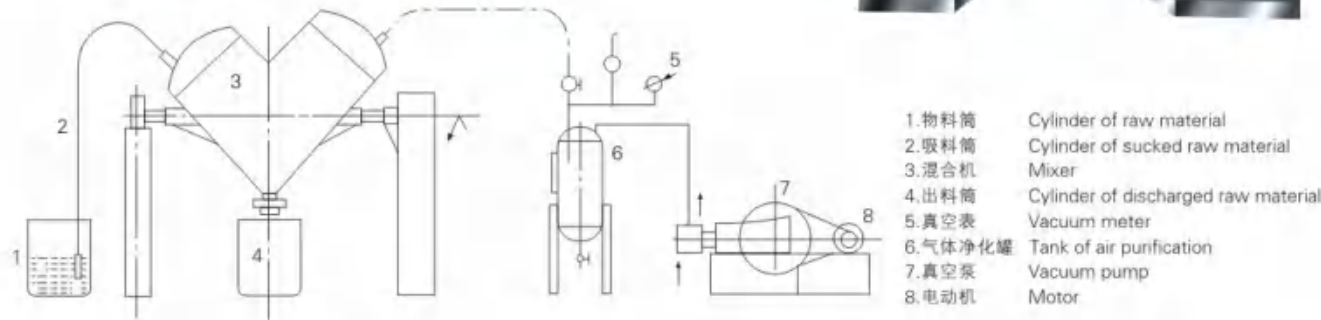
This machine is suitable for mixing two or more dry and powder or granule raw materials from pharmaceutical industry, chemical industry, foodstuff industry and so on.

The structure of this machine is unique. Its mixing efficiency is high and no dead corner. It is made of stainless steel. Its inner and outer wall is processed through polishing. Its appearance is beauty.

Its mixing is uniform. Its scope of application is wide. The forced stirrer can also be equipped in order to meet the requirements of raw materials that contain fine powder, cake and certain moisture as request.



结构示意图 Schematic of structure



技术参数 Technical parameters

型号规格 Model and specification	VHJ-0.18	VHJ-0.3	VHJ-0.5	VHJ-1.0	VHJ-1.5	VHJ-2.0	VHJ-2.5	VHJ-3.0	VHJ-4.0	VHJ-5.0	VHJ-6
生产能力 Productive capacity (kg/time)	90	150	250	500	750	1000	1250	1500	2000	2500	3000
配用真空泵型号 Model of vacuum pump	W2	W2	W2 或SK-1.5	W3 或SK-3	W3 或SK-3	W3 或SK-3	W3 或SK-6	W4 或SK-6	W4 或SK-9	W4 或SK-9	W4 或SK-12
进料时间 Time of raw material fed in (min)	3-5	3-5	4-6	6-9	6-10	8-13	8-15	8-12	10-15	15-20	18-25
混合时间 Mixing time (min)	4-8	6-10	6-10	6-10	6-10	6-10	6-10	8-12	8-12	8-12	8-12
全容积 Total volume (m ³)	0.18	0.3	0.5	1.0	1.5	2.0	2.5	3.0	4.0	5.0	6.0
搅拌速度 Stirring speed (r/min)	12	12	12	12	12	12	12	10	10	10	10
电机功率 Power of motor (kw)	1.1	1.1	2.2	4	4	5	7.5	7.5	11	15	18.5
回转高度 Rotating height (mm)	1580	1760	2400	2840	3010	3240	3680	3700	4350	4800	5300
重量 Weight (kg)	280	320	550	950	1020	1600	2040	2300	2800	3250	3850

CH Series Slot Shape Mixer

CH 系列槽型混合机

概述 Description

用于混合粉状或湿性物料, 使不同比例主辅料混合均匀。本机与物料接触处均采用不锈钢制造, 浆叶与桶身间隙小, 混合无死角, 搅拌轴两端设有密封装置, 能防止物料外泻, 料斗采用按钮点动控制, 出料方便。广泛适用于制药、化工、食品等行业。

CH series slot shaped mixer is widely used for mixing powder or wet materials, and can make the materials in different proportions mixed uniformly. The parts of the machine which contact with materials are made of stainless steel. The gap between blades and the inner wall of the cylinder is very small, so there's no 'dead corner' in mixing. Seal devices are fixed on both ends of the stirring shaft to prevent the materials from rushing out. Feed hopper is controlled through buttons. So it's very convenient to feed or discharge materials. This type of mixer is widely used in pharmaceutical, chemical, foodstuff industry and so on.



技术参数 Technical parameters

型号 Model	容量 Volume (L)	电机功率 motor power (kw)	外形尺寸 Overall dimension (mm)	搅拌转速 stirring speed (rpm)	倒料角度 inclined angle (°)	重量 weight (kg)
100	100	2.2	1400 × 580 × 1000	24	105	400
150	150	3	1600 × 600 × 1050	24	105	500
200	200	4	1870 × 650 × 1065	24	105	650
500	500	5.5	2000 × 1240 × 720	20	105	650

ZGH Series Of Vertical Speed, High Efficiency Mixer

ZGH系列立式高速高效混合机

概述 Description

立式高速高效混合机是专为粉体料混合而研制的高速高效混合机设备, 解决了食品、制药等行业各种粉体原料加水混合成湿料不均匀的工艺问题。广泛应用于鸡精及其它调味品、制药、化工原料粉体或颗粒状物料的混合搅拌。

Vertical high-speed mixer is designed for highly efficient mixture of powder materials and efficient high-speed mixer devices developed to solve the food, pharmaceutical and other industries all kinds of powder mixed into the raw water wet material uneven process issues. Widely used in chicken and other spices, pharmaceuticals, chemical raw materials powder or granular material mixing.



特点

- 混合均匀, 根本找不到小团及小块;
- 混合时间短, 每次混合只需3-4分钟;
- 加料、放料非常方便, 清洗简单;
- 该设备的密封结构经过精心设计, 密封性能可靠, 维修拆装方便, 全部齿轮经过热处理, 使用寿命长。

- Mixed, small groups and could not find small pieces;
- Short mixing time, mixing just 3-4 minutes each;
- Feeding, discharge is very convenient, clean simple;
- Seal structure of the device is designed and reliable sealing performance, maintenance, easy accessibility, all the gear after heat treatment, long service life.

技术参数 Technical parameters

型号	工作容量	搅拌重量 (KG/次)	装机功率TW (3台电机)	外型尺寸 (MRO)
ZGH-350	350	150	7.87	1500 × 1090 × 1200
ZGH-500	400	200	8.07	1500 × 1090 × 1300
ZGH-850	850	400	10.87	1718 × 1320 × 1400

WZ Series Zero-gravity Double-axle Paddle Type Mixer WZ 系列无重力双轴桨叶混合机



概述 Description

本系列混合机以强烈、高效混合为特点, 卧式筒体内两根搅拌轴等速反向旋转, 轴上特殊布置的桨叶确保物料径向, 环向, 轴向三向运动, 形成复合循环, 在极短的时间内达到均匀混合。

This series machine takes a strong and high effective mixing as its features. The two mixing axles rotate reversely at an identical revolution in the horizontal drum body. The paddles specially distributed on the axle ensure that the material move radically, circulatingly, and axially, so as to form a compound motion, and in an extremely short time, the material is mixed evenly.

特点 Features

- 混合精度高、速度快、能耗低、可密封操作。
- 气动、电动、手动出料方式。
- 筒盖上可布置雾化装置以实现固液混合。
- The equipment can run in an enclosure, with high precision, high speed, low energy consumption.
- Pneumatically, electrical and manual discharging method.
- The atomizing device can be distributed on the cylinder cover to realize the Solid-liquid mixing.

应用 Application

化学药品、洗涤剂、涂料、树脂、玻璃硅、颜料、农药、化肥、饲料、饲料添加剂、小麦粉、奶粉、香料、微量成份、咖啡、味精、食盐、添加剂、塑料及各种浆料、粉料的干燥与混合。

It is suitable for the drying and mixing of the following materials: chemicals, detergent, fertilizer, feedstuff, feedstuff additive, wheat flour, milk powder, perfume, micro ingredient, coffee, gourmet powder, salt, plastic and all kinds of pulp, powder material.



技术参数 Technical parameters

型号规格 Model & Specs(m³)	WZ-0.05	WZ-0.1	WZ-0.3	WZ-0.5	WZ-1	WZ-2	WZ-3	WZ-4	WZ-6
一次混合 Mixed amount/batch(kg)	24~30	40~60	120~180	200~300	400~600	800~1200	1200~1800	1600~2400	2400~3600
装机功率 Equipped power(kw)	2.2	3	4~5.5	5.5~7.5	7.5~11	11~15	18.5~22	22~30	30~37
设备重量 Dead Weight(kg)	250	360	750	880	2100	2740	3800	5100	6200

上述产品按客户要求由A, 钢或不锈钢制造。
The above-mentioned products can be made in A, steel or stainless steel acc. To customer's requirements.

LDH Series Coulter Type Mixing Machine LDH 系列犁刀式混合机

概述 Description

该机型由传动机构、卧式筒体、犁刀、飞刀四部分组成; 物料在犁刀作用下沿筒壁作轴向流动, 当物料流经飞刀时被高速旋转的飞刀抛洒, 从而在较短时间内达到均匀混合。

This machine is composed of transmission apparatus, horizontal cylinder, coulter flying cutter; under the action of coulter, the material conducts a turbulent flow circumferentially along the cylinder wall, and the materials is thrown and sprinkled by the rotating flying-cutter at a high speed when it flows through the flying cutter, thus the material is mixed evenly in a shorter time.

特点 Features

- 混合时间短、对粒度、密度差异大的物料混合有较好的适应性。
- 结构特点特别适合加液混合和造湿粒, 粒径在0.3-3mm之间。
- The mixing time is short. It has a better adaptability to the mixing of the materials, which has large differences in size and specific gravity.
- Its construction feature is that it is especially suitable for liquid-adding mixing or granulating wet particle, the size is between 0.3-3mm.

应用 Application

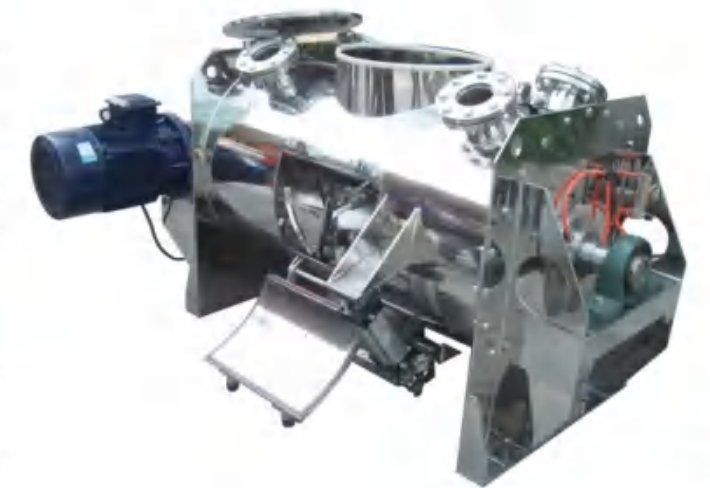
应用于化工、医药、兽药、食品、饲料、饲料添加剂、塑料等行业固-固(粉体与粉体), 固-液(粉体中添加少量液体)的混合以及造湿粒、干燥等复合工艺; 尤其适用于粘性或胶状添加剂的混合。

It is suitable for the mixing of solid-solid (powder and powder), solid-liquid (adding a small amount of liquid into the powder) and some compound technology. Process such as granulating wet particle and drying, especially it is suitable for the mixing of viscous material or glue-like additive.

技术参数 Technical parameters

型号规格 Model & Specs(m³)	LDH-0.1	LDH-0.3	LDH-0.5	LDH-1	LDH-2	LDH-4	LDH-6	LDH-8	LDH-10	LDH-12	LDH-15
一次混合 Mixed amount/batch(kg)	40~60	120~180	200~300	400~600	800~1200	1600~2400	2400~3600	3200~4800	4000~6000	4800~7200	6000~9000
装机功率 Equipped power(kw)	6	8.4	9.9	23	30.5	38	38	46	53	65	82.5
设备重量 Dead Weight(kg)	430	950	1100	1800	2520	3220	6750	7200	7500	8500	9200

上述产品按客户要求由A, 钢或不锈钢制造。
The above-mentioned products can be made in A, steel or stainless steel acc. To customer's requirements.



WLDH Series Horizontal Ribbon Mixer WLDH 系列卧式螺带混合机

概述 Description

该机型由容器、螺旋搅拌叶片和传动部件组成;螺旋叶片一般做成双层或三层,外层螺旋将物料从两侧向中央汇集,内层螺旋将物料从中央向两侧输送,形成对流混合。容积可做成圆形,以便夹套用于反应、干燥。

This machine is composed of container, screw stirring paddles and transitional parts; the screw paddle are generally made into 1 layer or 3 layers, the outer screw converge is the material to the centre front two sides, and the inner layer of screw conveys the material to the two sides from the centre, so as to form convection mixing. The cubage can be made into rotundity, so the jacket can be played in reaction and drying.



特点 Features

装载系数大、设备占地面积小。

Big coefficient of loading, small occupied area.

应用 Application

螺带混合机一般用于粘性或有凝聚性的粉粒体的混合以及粉粒体中添加液体及糊状物料的混合,同时由于粘性物料清洗困难的特点,适用于产量大、不经常更换品种的场所混合。

The ribbon mixer is generally used in the mixing of viscous or adhesive powder material, or the mixing of powder which needs to add liquid, and paste material. Meanwhile, because it is difficult to clean viscous material, the machine is suitable for the mixing case, where the output is large and there is no need of displacing material variety frequently.



技术参数 Technical parameters

型号规格 Model & Specs m ³	WLDH-0.1	WLDH-0.3	WLDH-0.5	WLDH-1	WLDH-1.5	WLDH-2	WLDH-3	WLDH-4	WLDH-6	WLDH-8	WLDH-10
一次混合 Mixed a mount/batch Kg	30-50	100-150	200-300	400-600	600-900	800-1200	1200-1800	1600-2400	2400-3600	3200-4800	4000-6000
装机功率 Equipped power Kw	1.5-4	3-5.5	4-11	7.5-15	11-18.5	15-22	18.5-30	22-37	37-55	37-55	45-75
设备重量 Dead Weight Kg	420	850	1060	1790	1900	2750	3500	4280	5300	6800	7800

上述产品按客户要求由A,钢或不锈钢制造。
The above-mentioned products can be made in A, steel or stainless steel acc. To customer's requirements.

GFS High Speed Grinder GFS高效粉碎机

概述 Description

本机采用混合喷粉法原理设计研制而成,适用制药、食品、化工等行业,用途极为广泛。

本机具有移动方便,运转平衡、噪音低、粉碎效果好和电耗低的优点。

This machine adapts the principle of mixing and spraying powder to design and manufacture. It has wide application and wide used for pharmaceutical industry, foodstuff industry, chemical industry and so on. This machine has many advantages such as movement of machine is very convenient and its operation is smooth and its noise low and its crushed effect is good and consumption is low.



技术参数 Technical parameters

机型 Model	8	16	28
电机功率 Power of motor (kw)	3	7.5	11
生产能力 Productive capacity (kg/h)	10-100	50-300	100-500
转速 Revolution (rpm)	4000	4000	4000
成品细度(含量≥85%) Degree of fineness(content≥85%)	12-120mesh	12-120mesh	12-120mesh
外形尺寸(A型) Overall dimensions (L×W×H), Model A (mm)	800×550×1250	900×660×1350	1000×750×1665
重量 Weight(kg)	150	250	350

CSJ Series Date And Efficient Coarse Grinder CSJ 最新高效粗粉碎机

应用 Application

本机适用于制药、化工、冶金、食品、建筑等行业。对坚硬难粉碎的物料进行加工,包括对塑料、铜丝、中草药、橡胶等进行粉碎,也能作为微粉碎机、超微粉碎机加工前道工序的配套设备。

This machine is suitable for many industries such as pharmaceutical industry, chemical industry, metallurgy industry, foodstuff industry, architecture industry and so on to crush hard raw materials including plastics, steel wire, Chinese herbal medicine, rubber and so on. It can also be as complete equipment of micro fine grinder and super fine grinder as the first procedure.

特点 Features

该机是采用立式粉碎机构,不受物料粘度、硬度、软度等的限制,对任何物料都能起到粉碎作用。

This machine adapts vertical crushing mechanism. It can not be limited by viscosity, hardness and softness of raw materials. It has good crushing effect to all kinds of raw materials.

技术参数 Technical parameters

型号 type	进料粒度 (mm) inlet material diameter	出料颗粒 (mm) output diameter	产量 (kg/h) output	功率 (kw) power	主轴转速 (rpm) speed of shaft	外型尺寸 (mm) overall dimension
CSJ-250	≤100	2-30	50-300	4	560	860x650x1020
CSJ-500	≤100	2-30	80-800	11	560	1120x1060x1050

注:因物料差异及要求日数不同,表中产量仅供参考。
Note: The requirements for material differences and the number of different projects, production of the table is for reference only.



WFJ Series Fine Grinder WFJ 系列粉碎机



概述 Description

该系列微粉碎机由主机、辅机、电控三个部分组成, 设计紧凑, 结构合理, 具有风选式, 无筛无网。机内装有分级机构, 能使粉碎, 分级一次完成。负压输送使粉碎作业时机腔内产生的热量源源不断地排出, 故也适应于热敏性物料的粉碎。本机适应范围广, 生产过程连续进行, 出料粒度可调; 能处理如: 化学制品、食品、药品、化妆品、染料、树脂、壳物等多种物料的粉碎及分级。

Model WFJ series fine grinder consists of three parts i.e. main machine, auxiliary machine and electric control. Its features are compact in design, reasonable in structure. Its principle is using air to chose and no sieve or screen. Being installed grading mechanism inside the machine, the crushing and grading can be finished at the same time. When use negative pressure to transport in the operation of crushing, the heat produced from the chamber will be remo-ved continuously. Therefore it can also be suitable for crushing thermal sensitive raw materials. The scope of application of machine is wide. Its productive process is continuous and its size of granule can be adjusted. It can crush and grade many raw materials such as chemicals, foodstuff, medicines, cosmetic, dyestuff, resin, shell materials and so on.

技术参数 Technical parameters

规格型号 Specification and model	WFJ-15	WFJ-18	WFJ-36
生产能力 Productive capacity(kg/h)	10-200	20-450	60-1000
进料粒径 Size of raw material to be fed(mm)	<10	<12	<15
出料粒度(目) Size of raw material to be discharged (mesh)	80-320	80-450	80-450
总功率 Total power (kw)	13.5	17.5	38
主转速 Main revolution(r/min)	4500	4480	4000
外型尺寸 Overall dimensions (L x W x H)(mm)	4200 x 1200 x 2800	4700 x 1250 x 2900	9000 x 1500 x 3800

注: 1. 以上表中参数因物料差异较大, 故产量和出料粒度差异亦较大。
2. 脉冲除尘器用空压机由用户自备。

Notes: 1. The parameters listed in above table have more difference with difference with different raw materials, therefore the output and size of raw material to be discharged have difference too.
2. The air compressor used for pulse bag duster should be prepared by customer.

30B/30BX Series Universal Grinder 30B/30BX 系列万能粉碎机

主要用途及特点 Main Applications And Its Features

- 本机适用于医药、化工、食品、农药等行业脆性物料的碎, 用途极为广泛。
- 本机利用活动齿盘和固定齿盘间的高速相对运动, 使被粉碎物经齿冲击、摩擦及物料彼此间冲击等综合作用获得粉碎。

- This machine has wide application and is wide used for pharmaceutical industry, chemical industry, pesticide industry, foodstuff industry, grain industry and so on.
- This machine uses the relative motion between movable and fixed teech disc, the raw materials to be crushed undertakes the comprehensive actions such as impacted by teeth, friction, impacted between raw materials, finally the raw materials are crushed.



技术参数 Technical parameters

型号 model	单位 unit	20B/20BX	30B/30BX	40B/40BX	60B/60BX
生产能力 productive capacity (kg/h)	kg/h	60-150	100-300	160-800	500-1500
主轴转速 revolution of spindle (r/min)	r/min	4500	3800	3400	2800
进料粒度 size of fed material (mm)	mm	6	10	12	15
粉碎细度(目) grinding size (mesh)	mesh	60-120	60-120	60-120	60-120
电机功率 power of motor (kw)	kw	4	5.5	11	15
机组吸尘风机功率 fan power	kw	1.5	1.5	1.5	2.2
重量 weight(kg)	kg	250	320	550	680
外形尺寸 overall dimension(L x W x H)	mm	550 x 600 x 1250	600 x 700 x 1450	800 x 900 x 1550	1000 x 900 x 1680
外形尺寸(机组) overall dimension(L x W x H)	mm	1100 x 600 x 1650	1200 x 650 x 1650	1350 x 700 x 1700	1550 x 1000 x 1750

注: 表中产量因物料比重大小差异其产量仅供参考。
Notes: The output listed in the table is for reference only because of the difference of the specific gravity and mesh.

WFS Series China Herb High Speed Grinder WFS 系列中草药粉碎机组

应用 Application

该机具有技术性能稳定、产量高、外形美观。适用范围广等特点。本机对于粉碎干燥纤维性物料具有较理想的效果。与国内其他机型相比, 制品温度低, 粒度均匀, 特别适用于食糖、塑料粉末、中药等热敏性物料的粉碎。

The machine has stable technical performance, high production capacity and beautiful shape. It has large of application. It can get very ideal result to pulverize the drying fibre material. It is suitable for heat sensitivity materials such as sugar, plastic powder and Chinese traditional medicine.

技术参数 Technical parameters

型号 (model)	WFS-30B
主轴转速 (main shaft speed)	5300转/分 (rpm)
主机电机功率 (main motor power)	7.5千瓦 (kw)
关风机电机功率 (discharging valve motor power)	0.37千瓦 (kw)
引风机电机功率 (draught fan motor power)	1.1千瓦 (kw)
进料粒度 (feed grain degree)	10-40mm
粉碎细度 (pulverizing fineness)	60-220目 (任意可调) - (eye will) 常规使用
粉碎能力 (pulverizing capacity)	50-250公斤/小时 (kg/h)
主机温升 (main engine temperature rising)	≤65°C (degree)



ZS/FS Series Square Sieve ZS/FS型振动筛



概述 Description

本机是目前国内使用较为广泛的高效筛分设备, 它采用振动原理实现物料大批量筛选, 该机可广泛应用于冶金、化工、制药、粮食等行业。

This machine is high effective sieving equipment used wide in China now. It adapts the principle of vibration to realize the sieving of plenty of raw materials. It is wide used for metallurgy industry, chemical industry, pharmaceutical industry, grain industry and so on.

Structural features

The machine consists of hopper, vibration chamber and coupling and motor. There are eccentric wheel, rubbersoft parts, main shaft bearing and so on. The adjustable eccentric weight can drive to the central line of main shaft through motor. Under the unstable state, it produces centrifugal force that makes raw material form vortex in the sieve. The size of amplitude of eccentric weight can be regulated in accordance with the different raw materials. The whole structure of machine is compact, small in volume, no dust, low noise, low in energy consume, convenient in moving and maintenance.

结构特征

本机由料斗、振荡室、联轴器、电机组成。振荡室内有偏心轮、橡胶软垫、主轴、轴承等组成。可调节的偏心重锤经马达驱动传达到主轴中心线, 在不平衡状态下, 产生离心力, 使物料强度改变在筛内形成轨道旋流。重锤调节器的振幅大小可根据不同物料和筛网进行调整。

整机结构紧凑、体积小、不扬尘、噪音低、质量高、能耗低、移动、维修方便。

技术参数 Technical parameters

型号 Model	生产能力 Production capacity (kg/h)	过筛目数(Mesh)	电动功率 Power of motor (kw)	主轴转速 Revolution of main shaft (r/min)	外形尺寸(毫米) Overall dimensions (mm)	净重 Net weight (kg)
ZS-365	60-500	12-200	0.55	1380	540×540×1060	100
ZS-515	100-1300	12-200	0.75	1370	710×710×1290	180
ZS-650	180-2000	12-200	1.50	1370	880×880×1350	250
ZS-800	250-3500	4-325	1.5	1370	900×900×1200	350
ZS-1000	300-4000	5-325	1.5	1370	1100×1100×1200	500
ZS-1500	350-4500	5-325	2	1370	1600×1600×1200	750

特点 Features

本机上部采用快拆式手柄, 把整机连成一个整体, 上盖全密封、有效防止物料在过筛时由于振动而产生粉尘飞扬。筛体下部安装振动电机, 有效保证了物料的结构紧凑, 下部采用弹簧减振, 使整机在平稳状态下工作。下面底座采用可调式, 可调节正在过筛时的筛面倾斜角度, 根据物料特性以取得最佳过筛效果。

It adapts quick disassembling handle at the upper part of this machine. The handle connects the machine as the all and the one. Its upper cover is seal fully. Therefore it prevent from the dust flying caused by vibration during the period of sieving. The vibration motor is installed under the sieve. Mean while it adapts spring to reduce vibration. So the machine will operate at stable state. The stand is adjustable, so the inclined angel of sieve that is sieving can be adjusted. The best sieving effect can be got.

技术参数 Technical parameters

型号规格 Model and specifications	功率 Power (kw)	筛面倾斜 Inclined angle of sieve surface	电压 Voltage (v)	筛面层数 Layers of sieve surface	过筛目数(Mesh)	外形尺寸 Overall dimension (mm)	重量 Weight (kg)	产量 Output (kg/h)
FS0.6×1.5	0.4×2	0°-45° 可调 0°-45° adjustable	380	1-4	6-120	1500×700×700	550	150-1500
FS0.65×2.0	0.4×2	0°-45° 可调 0°-45° adjustable	380	1-4	6-120	2100×750×780	650	160-2000

注: 表中产量因物料比重目数差异其产量仅供参考。

Notes: The output listed in the table is for reference only because of the difference of the specific gravity and mesh.

RLY Series Fuel Oil, Gas Hot Air Furnace RLY 系列燃油、燃气热风炉

原理 Principle

燃料通过燃烧器燃烧, 产生高温燃气。并借助具有强化换热措施的热风炉将高温燃气的热量传导给被加热的空气, 高温燃气经热量散发后温度降低至250°C后排到大气中。需加热的空气通过选配的鼓风机强送入热风炉, 吸热后温度升至额定值从热风出口处送出, 当热风温度达到额定温度上限时, 燃烧器会自动停止燃烧或自动转为小火燃烧, 当热风温度降低到额定下限温度时, 燃烧器又会重新点燃运行或转为大火燃烧, 升温的速度可以调节进风阀的开度来实现。

The fuel is burnt at firebox and the high temperature is produced. The quantity of heat will conduct to air to be heated through heat exchange device. Through heat exchange, the temperature of air is dropped to less than 250°C and the air will be discharged. The air to be heated is sent to hot air furnace through distribution blow fan. After absorbed heat to the rated value, the air will be sent from the vent of hot air. When the temperature of hot air reaches the rated upper limit, the burner can stop or turn to small fire automatically. When the temperature of hot air drops to the rated low limit, the burner can burn or turn to big fire automatically.

应用 Application

广泛应用于制药、化工、食品、纺织印染、粮食加工、木材加工、汽车等工业领域各种产品的干燥、固化、热定型等作业。

It is wide used for heating, damp removing of pharmaceutical industry, foodstuff, textile, printing and dyeing, food, grain processing, automobile and so on.

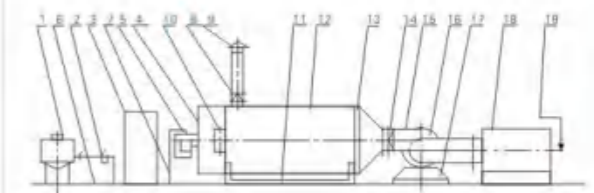
技术参数 Technical parameters

型号 Model	燃烧器的型号	燃油量 (kJ/h)	供热量 (m³/h)	外形尺寸 LxWxH (mm)	热风 LxH (mm)	总重 (kg)
RLY1	QYC5	1.3-1.6	1	1000x1000x1600	Ø200	150
RLY4	QYC5	5-6.5	4	1700x1000x1600	140x160	1100
RLY10	Y1	13-16	10	2100x1300x1600	180x200	1970
RLY20	YL3	26-32	20	2800x1400x1700	200x250	2260
RLY30	YL3	39-48	30	3400x1500x1800	250x300	3160
RLY40	YL3	52-64	40	4020x1700x1900	300x400	4750
RLY60	YL7	78-96	60	4800x1900x2100	400x500	5650
RLY100	YL8	130-160	100	5400x2100x2300	550x650	6550
RLY200	YB10	260-320	200	6000x2500x2400	750x900	7980
RLY360	YB11	468-720	360	7200x2900x2600	900x1200	9860

注: 油的热值以11000kcal/Kg计算。



流程图 Flow chart



- | | | | |
|-------------------------------|------------------------|-------------------------------------|-----------|
| 1. 储油槽 | 6. 油管 | 11. 机座 | 16. 送风机 |
| 2. 总阀过滤器 | 7. 进油管 | 12. 热交换器 | 17. 风机减震座 |
| 3. 控制箱 | 8. 烟道 | 13. 进风盖 | 18. 空气过滤器 |
| 4. 燃烧器 | 9. 烟帽 | 14. 软接管 | 19. 冷空气进入 |
| 5. 燃烧器座 | 10. 热风出口 | 15. 接管 | |
| (1)oil tank | (6)chimney | (15)joint pipe | |
| (2)oil filter of master valve | (7)rain cap | (16)fan | |
| (3)control panel | (8)inlet of hot air | (17)vibration absorbing seat of fan | |
| (4)burner | (9)inlet of cold air | (18)air filter | |
| (5)seat of burner | (10)heat exchanger | (19)inlet of cool air | |
| (6)oil pipe | (11)cover of air inlet | | |
| (7)pipe of oil inlet | (14)flexible pipe | | |

JRF Series Coal Combustion Hot Air Furnace

JRF 系列燃煤热风炉

应用

该炉为通用性热风装置, 与各种物料的干燥设备配套使用。广泛用于粮食、种子、饲料、果品、脱水蔬菜、香菇、木耳、银耳、茶叶、烟叶等农产品、食品、医药品、化工原料、轻重工业产品的加热除湿, 还可用于各种设施的加热以及库房除湿等。

Application

The furnace is the versatile hot air equipment. It is used with other equipment for drying various materials. The furnace is widely used for the heating and moisture removing for the grain, seed, feed, fruit, dewatering vegetable, mushroom, edible fungus, tremella, tea, tobacco leaf, other farming products, food, medicine, chemical raw material, light and heavy industry products.

特点

采取了耐高温措施, 使其寿命比列管式热风炉大大延长, 并采用烟气纵向冲刷散热片和负压式排烟方式, 换热部位不积灰尘, 无须清理, 热性能稳定。可用各种煤或柴作燃料, 并配有二次进风装置燃烧完全, 该炉的各项技术均达到了国内领先水平。

Features

The furnace uses the high temperature resistant method so that its life is much longer than the life of the pipe arrangement hot air furnace. The furnace uses the smoke and air longitudinal splashing heat radiation sheets and the negative pressure smoke elimination mode. There is no dust collected on the heat exchange position. There is no need to carry out the cleaning. The heat feature is stable. Various coal and wood can be used as the fuel. The furnace is equipped with the air leading device and the combustion is complete. All the technical and economic indexes of the furnace have reached the advanced level at home.

技术参数 Technical parameters

型号规格 type	技术参数 technical parameter heat output	输出热量 heat amount output × 10 ⁴ kJ/h	输出风量 air amount output (m ³ /h)	热风温度 hot air temperature(°C)	耗煤量 coal combustion capacity(kg/h)	烟气引风机型号 cocking blower for cocking
JRF4-2.5		1.045	1500-560	60-200	10-12	炊事用鼓风 80-100w
JRF4-4		1.672	3500-930	60-200	14-17	炊事用鼓风 200-300w
JRF4-8		3.344	5600-1480	60-200	18-24	Y5-47 No2.8C 1.1kw
JRF5-15		6.270	12000-2160	60-300	40-45	Y5-47 No4C 2.2kw
JRF5-30		12.54	25000-4330	60-300	80-85	Y5-47 No4C 3.0kw
JRF5-40		16.72	28000-5600	60-300	115-125	Y5-47 No4C 3.0kw
JRF5-60		25.08	45000-8600	60-300	160-170	Y5-47 No4C 3.0kw
JRF6-80		33.44	83000-12500	60-300	240-250	GY2-1 11kw
JRF6-160		66.88	134400-23000	60-300	480-490	GY4-1 18.5kw
JRF6-200		83.60	170000-28000	60-300	600-620	GY4-1 18.5kw



原理

该炉集燃烧与换热为一体以炉体高温部位进行换热的最新间接加热技术, 烟和空气各行其道, 加热绝对无污染, 热效率高达(60-75%), 升温快, 体积小, 安装方便, 使用可靠, 且价格低(与一吨锅炉相比, 该加热系统只相当于锅炉加热系统价格的一半)。

Principle

The furnace combines the combustion with the heat exchange, using the latest indirect heating technology that the heat exchange is taken place at the position of the high temperature in the furnace. The smoke and the air go into the different channels, without any pollution for the heating. The heat efficiency rate is high (up to 60-75%). The temperature increase is fast. The furnace is small in size, easy in the installation, reliable in the operation and low in the price (making a comparison with one ton boiler, the price of this system is only half price of the heating system for the boiler).

Direct-Fired Hot Air Furnace

系列直燃式热风炉

特点 Features

直燃式热风炉是直接利用烟道气的供热装置, 它以煤、柴、果壳等为燃料, 通过将燃料推入一次燃烧室并迅速其燃燃烧。在负压作用下, 旋转型二次燃烧室将一次燃烧室的火焰和燃气吸入, 并沿其壁面急速旋转进一步强化燃烧。设置在二次燃烧室中的独特高温除尘装置使大部分尘埃从烟气中分离。通过夹层配入干净的空气稀释了热空气, 并使气温度控制在需要值直接输出应用。

Direct-fired hot air furnace is directly use flue gas, it is a kind of heating arrangement which use coal, firewood and shell as it's fuel, put the flue into primary zone to obtain heat. Spinning form secondary combustion chamber absorb the fire and gas from primary zone under the function of negative pressure and the gas will revolve at the surface of wall to strengthen combustion. The unique high-temperature dust removal device installed in secondary combustion chamber separate the most of dust from exhaust gas. The clean air from jacket will dilute the hot air and make the temperature at desired value to direct output and application.



Series Heat Conducting Oil Heating Device

系列导热油加热装置

概述 Description

该装置是本公司针对水加热温度太低, 且客户又不想用锅炉而需高温的情况下, 自行设计的一套加热装置。经高温油泵循环加热, 因此热利用率高且温度可设定控制, 拆装、使用更方便, 生产成本更低。

The machine is developed by our company, it is aim at the situation that temperature of hot water can't reach the target and customer doesn't want to use boiler to obtain high temperature. The machine has good heat utilization and could control, easy for assembling and disassembling, low in production cost.

特点 Features

- 加热温度高(<300. C), 温度便于控制。
- 经济实用, 热效率高, 耗能低。
- 特殊的气体膨胀设计更趋安全。

- High heating temperature (<300), the temperature controllable.
- The machine is economic and practical, the thermal efficiency is high. Energy consumption is low.
- The special expansion of gas design hasten the security.



SQR Series Heat Exchanger SQR 系列散热器



原理 Principle

SQR螺旋翅片式散热器, 主要用于干燥系统中空气加热, 是热风装置中的主要设备, 散热器采用的热介质可以是蒸汽或热水, 也可用导热油, 蒸汽的工作压力一般不超过0.8MPa, 热空气的温度则在150°C以下。

Model SRZ and SRL screw wing radiator manufactured by our factory is mainly used for heating air in the system of dry and is main drying equipment in hot air device. The conducted heat medium adapted in radiator may be steam or hot water or heat conducting oil. In general, the working pressure of steam is not more than 0.8Mpa and the temperature of air will be below 150°C.

技术参数 Technical parameters

型号 Type	规格 Specification	换热器Hot Exchange Pipe 长度 Length (mm)	数量Quantity (根/件)	换热面积 Area of hot exchange(m ²)	外型尺寸 Overall dimensions(mm)
SQR5 × 5D	Φ18 × 2	512	32	10	580 × 580 × 180
SQR6 × 6D	Φ18 × 2	612	41	15	680 × 680 × 180
SQR7 × 7D	Φ18 × 2	712	47	20	780 × 780 × 180
SQR10 × 5D	Φ18 × 2	1012	32	20	1080 × 580 × 180
SQR10 × 6D	Φ18 × 2	1012	41	25	1080 × 680 × 180
SQR12 × 6D	Φ18 × 2	1212	41	31	1280 × 680 × 180
SQR15 × 6D	Φ18 × 2	1512	41	38	1580 × 680 × 180
SQR10 × 7D	Φ18 × 2	1012	47	28	1080 × 780 × 180
SQR12 × 7D	Φ18 × 2	1212	47	36	1280 × 780 × 180
SQR15 × 7D	Φ18 × 2	1512	47	42	1580 × 780 × 180
SQR15 × 10D	Φ18 × 2	1512	68	62	1580 × 1080 × 180
SQR20 × 10D	Φ18 × 2	2012	68	85	2080 × 1080 × 180

Mechanical Transportation Equipment 机械输送设备

螺旋上料机, 进料口和输送管均采用开口U型, 螺旋可根据需要采用变径或等径变距, 较小型号无缝钢管制作, 增设破拱装置, 使物料均匀输送, 设备检修方便。

The inlet of this machine and transportation pipe uses opening U shape. According to the requirement, the screw may use transition section or constant diameter variable pitch, may be fabricated by smaller seamless steel pipe. Being designed arch breaking device, material can be transported uniformly and the overhauling of equipment is convenient.

皮带输送机是一种连续运输机械, 也是一种通用机械, 它被广泛应用在港口、电厂、钢铁企业、水泥、粮食及轻工业的生产线。它可以运送散状物料, 也可以运送成件物品。工作过程中噪音较小, 结构简单, 可实现水平或倾斜输送。

Belt conveyor is a kind of continuous transport machinery, also is a kind of general machinery, it is widely used in ports, power plants, steel mills, cement, food and light industry production line. It can transport material, also can be transported into items. Small noise in the working process, the structure is simple, can achieve horizontal or inclined conveyor.



ZSL-III Serial Vacuum Feeder ZSL-III 系列真空上料机



概述 Description

ZSL-III 系列真空上料机是我公司最新开发研制的第三代新型真空上料机, 它具有上料速度快、使用周期长、操作方便、清洁卫生, 符合GMP要求。

Model ZSL-III vacuum feeder is a third-generation new-type vacuum feeder recently developed by our company, it has advantages of fast feeding, long service period, simple operation, clean and in conformity with GMP requirement.

应用 Application

- 用于粉状、小颗粒状(φ < 5mm)及球状物料。
- 用于二维、三维、双锥、V型等各种密闭容器和设备的上料。
- Used for powder, small grain and ball materials with diameter less than 5mm.
- Used for materials feeding for various kinds of sealed containers and equipments such as two-dimension, three-dimension, double-cone, V-shaped etc.

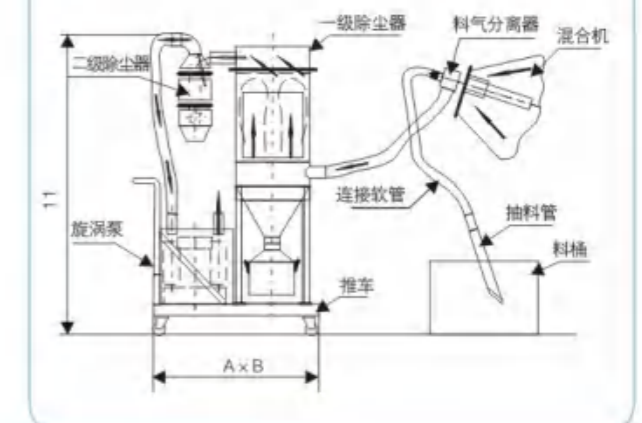
特点 Features

- 上料速度快。
- 连续工作时间长。
- 无泄漏现象, 清洁卫生, 适合于洁净厂房。
- 结构紧凑、移动方便、操作简单。
- 装有快装卡箍, 便于拆装和清洗, 符合要求。
- Fast feeding of materials.
- Long time for continuous working.
- No leakage, clean and healthy, suitable for clean workshop.
- Compact size, easy moving and simple operation.
- Equipped with fast-feeding clamping and facilitating assembling, disassembling and cleaning and in conformity with the requirement.

技术参数 Technical parameters

型号参数	ZSL-III-2.2	ZSL-III-3.0	ZSL-III-4.0	ZSL-III-5.5	ZSL-III-7.5	ZSL-III-11	ZSL-III-15
工作压力 (KPa)	<18	<20	<22	<28	<31	≤41	≤60
风量 (m ³ /h)	210	300	330	370	480	580	780
功率 (kw)	2.2	3.0	4.0	5.5	7.5	11	15
输送能力 (Kg/h)	100-300	200-500	300-600	400-800	500-1000	800-1500	1000-2000

结构示意图 Schematic of structure



MC Series Pluse Filter With Hop-pocket MC 系列脉冲布袋除尘器

原理 Principle

含尘气流从进气口进入下箱体后, 部分沉降, 轻微粉尘浮动时被滤袋阻留, 净化空气透过滤袋, 经文氏管进入上箱体, 从出气口排出。积附在滤袋外壁的粉尘不断增加, 当阻力在限定(一般为80-120毫米水柱)的范围内, 就要清除积附在滤袋外壁的粉尘, 清灰是由控制仪定期顺序触发各控制阀, 开启脉冲阀, 使气包内的压缩空气通过喷吹管孔使布袋在一瞬间急剧膨胀, 并伴随着气流的反向作用, 被抖落的粉尘落入灰门经排灰阀排出机体。

The air stream containing dust passes through low box from air inlet. Parts of it deposit. When light particle dust is floated. It is retarded in the bag. The purified air penetrates the filtering bag and passes into the up box through venturi and exhausts from outlet. The accumulated powder dust on the outer wall of filtering bag.



结构示意图
Schematic of structure



应用 Application

广泛应用于冶金、铸造、矿山、化工医药、饲料、建材、粮食加工等行业的通风除尘和粉尘回收。

The equipment is widely used for ventilation and degusting and recovering powder dust of metallurgy industry, casting industry, mine, chemical industry, and pharmaceutical industry, construction material industry, fed industry and grain processing industry and so on.

技术参数 Technical parameters

参数 Parameter	型号 Model	MC24	MC36	MC48	MC60	MC72	MC84	MC96	MC120
过滤面积 to be filtered (m ²)		18	27	36	45	54	63	72	90
滤袋数量 (只) Quantity of Filtering bag (piece)		24	36	48	60	72	84	96	120
过滤风速 speed of filtering air (m/min)		2-4	2-4	2-4	2-4	2-4	2-4	2-4	2-4
过滤风量 Filtering air volume (m ³ /h)		2160-4300	3250-6480	4320-8630	5400-10800	6450-12900	7550-15100	8650-17300	10800-20800
最大外形尺寸 (mm) Max overall dimension	长 L	1025	1425	1820	2225	2625	3025	3582	4385
	宽 × 高 W × H	1678 × 3660							
清灰装置 Dust remove	脉冲程数 Pulse valve number (只)	4	6	8	10	12	14	16	20
	耗用压缩空气 compressed air consumption (m ³ /min)	0.047-0.30	0.11-0.40	0.15-0.50	0.18-0.60	0.22-0.60	0.25-0.90	0.29-0.90	0.37-0.90
	区精空气压力 compressed air pressure (MPa)	0.5-0.8							

T、DT Series Ethanol Recovery Tower T、DT系列酒精回收塔

原理 Principle

乙醇精馏装置的主要设备是酒精回收塔, 该设备是利用酒精沸点低于水及其溶液沸点的原理, 用稍高于酒精沸点的温度, 将需回收的酒精溶液进行加热蒸发, 经塔体精馏后蒸发出高浓度酒精蒸汽。再经冷凝器冷却回收, 获得符合浓度要求的酒精。

The main equipment of refined distillation device for ethanol is tower. The equipment uses the principle that the boiling point of ethanol is lower than that of water and their solution. It applies the temperature that is higher than the boiling point of ethanol slightly to heat and vaporize dilute solution to be recovered. The steam of high concentrated ethanol is vaporized distillation tower and then cooled and recovered by condenser. In this way, ethanol that is in conformity with the requirement is got.

特点 Features

装置主要部件采用不锈钢材料制成。防腐性强, 经久耐用, 可以确保成品乙醇的质量。设备能连续操作, 且操作简单、维修方便。成品浓度稳定, 可适用于不同浓度稀酒精回收使用。

The main parts of equipment are made from stainless steel. It is corrosion resistant and durable. The quality of ethanol can be guaranteed. The equipment can be operated continuously. The operation is very simple and easy maintenance. The concentration of finish product is constant. It is suitable for recovering dilute ethanol with different concentration.

应用 Application

本装置适用于制药、食品、轻工化工等行业的稀酒精回收。也适用于甲醇等其他溶剂的蒸馏。本装置根据用户的要求, 可将30%左右的稀酒精蒸馏至90-95°度酒精, 成品的酒精度要求很高, 可加大回流比, 但产量就相应降低。

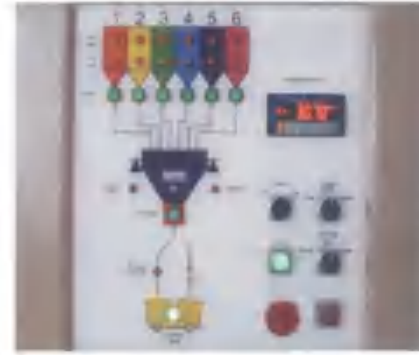
The device is suitable for recovering dilute ethanol of pharmaceutical industry, foodstuff industry, light industry, chemical industry and so on. It is also suitable for distilling solvents such as methanol and so on. Using this device, about 30% of dilute ethanol can be distilled into 90-95° as request. If the finished product has higher requirement to alcohol content, the ratio of reflex should be increased. But the output will be decreased.

技术参数 Technical parameters

- 进料浓度: 30%—80%
- 回流比: R=13(根据进出料浓度而定)
- 残液排放含醇浓度: DT型≤3%
- 生产能力(kg/h): 见下表
- Concentration of raw materials to be fed in: 30-80%
- Ratio of reflex: R=13(affirmed in accordance with the concentration of raw material to be fed in and taken out)
- Concentration of ethanol in residual liquid to be discharged: model IT type ≤3%
- Product capacity(kg/h): see the list of productive capacity.

项目 Project	型号 Model	T 300	DT 200	DT 400	DT 500	DT 600	DT 800
塔径 Diameter of tower		Φ300	Φ200	Φ400	Φ500	Φ600	Φ800
塔容积 Tower capacity (L)		1500	1000	2000	2500	2500	3000
塔身高度 Tower height (mm)		7000	6000	7000	7000	7500	7500
高位罐容积 High-order holder capacity (L)		1000	1000	2000	2000	2000	2500
冷凝面积 Condensing area (m ²)		9	5	11	18	25	45
冷却面积 Cooling area (m ²)		1.5	1	2.2	4	6	8
换热面积 Heat exchange area (m ²)		6.0	3.0	6.5	10	15	26
回收能力 Regenerating capacity (kg/h)		900-100	45-50	180-200	190-310	430-450	750-780
回收浓度 Regenerating concentration (%)		>90					
填料形式 Packing form		不锈钢波纹, 网孔填料 Stainless steel net wave filter					
设备重量 Equipment weight (kg)		2200	1500	3500	4000	4500	6000

Powder Automatic Weighmatic and Batching System 粉末自动称重配料系统



系统组成 Constitutes of System

本控制系统是一个以称重加料、配方控制、放料等计算机生产过程控制和数据管理为一体的综合自动化系统, 采用三菱Q系列PLC和研华工控微机组建高性能的控制平台。对于设计一套用于生产控制的自动化系统来说, 必须达到具有稳定而可靠的运行、简单而实用操作、以及优越的性价比, 这些都是十分至关重要的。本系统由五大部分组成: 1、控制部分: 上位机采用研华P4工业控制微机, 以三菱Q系列PLC通讯模块以及开关量输入输出模块, 以及手动——自动控制切换开关, 手控按钮和指示灯等均装置在一体化的控制机柜中, 方便操作。2、软件部分: 根据配料系统的基本要求、用户的实际需求结合量身定制。3、称重部分: 采用高精度称重模块, 结合称重控制仪表制作。4、执行部分: 采用气动阀控制、螺杆变频的方式进行投、放料控制。5、送料部分: 采用螺杆送料方式负责送料。

The control system is a synthetic automated system which incorporates computerized processing control of weighing, materials feeding, control of batching, materials discharging as well as data management into a whole. It adopts Mitsubishi Q series PLC and Yanhua industrial control microcomputer to establish the control platform with top performance. For the set of automated system designed for production control, it should have stable and reliable running, convenient and practical operation as well as superior performance/price ratio and all of these are quite important. The system consists of five major parts as follows:

1. Control part: the upper computer adopts Yanhua P4 industrial control microcomputer. All Mitsubishi Q series PLC communication module, switch value input/output module, manual/automatic control switch, manual button and indication lamps are all equipped into the integrated control cabinet for easy operation.
2. Software part: it is customized according to basic requirement of batching system and actual requirement of customer.
3. Weighing part: it is made by adopting high precision weighing module in combination with weighing control meters.
4. Actuation part: adopt the style of pneumatic valve control and screw rod frequency variation to make control over materials feeding and discharging.
5. Supplying part: adopt the style of screw rod supplying to supply materials.

动作流程 Flow of Actions

1. 称重槽装置了传感器, 并以rs232方式连接输入到工控机。本系统设计停机时对每套称重槽进行人工检零, 可监视称重槽的零位是否正常; 在连续配料运行过程中进行自动检零, 可修正称重槽的零位变动, 确保计量精度。2. 操作者点击配料运行过程开始后, PLC控制第一种原料加料的气动阀、螺杆开启, 该种原料徐徐加入称重槽, 计算机实时监测称重槽下计量传感器传送过来的信号, 与配方设定的目标值进行比较, 当达到设定的配方目标值后PLC控制输出被断开, 第一种原料加料气动阀、螺杆关闭, 待稳定后测得称重槽和已加入原料的总重, 并以此值作为第二种原料加料前的零位。3. 紧接着开始第二种原料的加料过程, 如此反复至第二、第三、……, 直至第6种原料加料完毕。4. 加料过程结束并满足预先设定的全部放料条件, 放料过程开始。放料气动阀开启, 混合料在重力作用T自然流出。系统实时监测称重槽下计量传感器传送过来的信号, 当检测到称重槽总重量恢复到初始零位时, 放料阀关闭, 放料过程结束。5. 操作者可预先设定每次投料开启的顺序。6. 系统可记录运行中的罐号, 每一种原料的实际加料量, 与配方设定目标值的偏差, 加料起止时分和加料时间, 以及放料起止时分和放料时间等运行数据。7. 通过上位机应用程序, 可查询和打印系统运行的原始数据和统计报表。

1. The sensor is mounted on the weighing groove and is connected into the industrial control computer in RS232 style. When the stop of the system is designed, each set of the weighing groove should have manual zero check to monitor if zero position of the weighing groove is normal. Automatic zero check is made in course of continuous batching operation to correct change of zero position of the weighing groove so as to ensure weighing precision. 2. After operator clicks the batching operation to start, PLC controls the pneumatic valve for the first material and open of screw rod. The said material is feed slowly into the weighing groove. The computer monitors the real time signal sent from the weighing sensor under the weighing groove, and compares it with target value set in the recipe. When the set target value of the recipe is obtained, the PLC controlled outputs switched off and the pneumatic valve and the screw rod for the first material are closed. Measure the total weight of the weighing groove and fed material when system is stable and regard it as the zero position of the second material before it is fed. 3. Then start the process to feed the second material and repeat again and again until the six materials are fed off. 4. After feeding of materials is completed and all preset conditions for materials discharge are met, start the materials discharge course. Open the pneumatic valve of discharge and mixed materials flow out by gravity. The system makes real time monitor signals sent by the weighing sensor under the weighing groove. When the total weight of the weighing groove is checked to recover to initial zero position, the pneumatic valve of discharge is closed and the course of materials discharge is completed. 5. Operator can preset order of start for each batching. 6. The system can record operation data such as no. of can in operation, actual feeding volume of each material, deviation with set target value of the recipe, start and stop time and feeding time, start and stop time and discharge time and so on. 7. By means of application program of the upper computer, original data and statistic statements of operation of the system can be checked and printed.

客户选型反馈表

Feedback Form of Customers for Model Selection

请您按表格详细填写, 以便本公司提供慎重的选型推荐

Please fill the form in detail so that our company can provide discreet recommended model:

单位 Unit: _____ 客户姓名 Name of customer: _____ 职务 post: _____
地址 Add: _____ 联系电话 Tel: _____ 传真 Fax: _____
E-MAIL: _____ 联系时间 Date: _____

1. 物料名称: _____
Material name: _____
2. 干燥物料的形态: 微粉 粉料 颗粒 块状 片状 纤维状
Shape of raw material to be dried: Micro powder Powder Granule Block Flake Fibric form
 滤饼 糊状 膏状 液体
Filter cake Mummy Paste Liquid
3. 干燥物料的初含水 _____ %; 产品终含水 _____ %; Ph值 _____,
Primary moisture of raw material to be dried Final moisture of finished product PH value
熔点 _____ °C, 物料最高承受温度 _____ °C, 物料松散度 _____
MP Max.withstood T of raw material Bulk density of raw material
4. 湿份主要成份: _____
Main ingredients of damp powder: _____
5. 水份存在的形式: 表面水 结晶水
Existed form of moisture: Surface water Crystal water
6. 成品细度 _____ mm (目) 湿品堆比重 _____ Kg/m³ 产品堆比重 _____ Kg/m³
Fineness of finished product Mesh Bulk specific gravity of damp product Bulk specific gravity of finished product
7. 物料有关其他特性:
Relative other characteristics of raw materials:
粘性 热敏性 软化点 相变点 腐蚀性 (PH值) 异味 可燃性
Viscosity Thermal sensitive Softening point Transition point Corrosivity (PH VALUE) Peculiar smell Inflammability
易爆性 静电性 透气性 团聚性 晶体或颗粒折医粉碎性
Explosion hazard Electric static Gas permeability Clumpiness Comminuted of crystal or granule
8. 干燥产量要求: 湿品 _____ Kg/h 或干品 _____ Kg/h
Requirement of output: Damp product or dried finished product:
9. 颗粒产品能否破坏: 能 不能
Whether the granule can be damaged: Yes No
10. 物料过去的干燥方法或类似产品的干燥方法: _____
The original dry method of raw material or dry method of similar products:
11. 干燥方式要求: 连续干燥 间隙干燥
Requirements of drying method: Continuous drying Drying in batch
12. 可供的热源: 电, 蒸汽, 热水, 导热油, 燃气炉, 燃煤炉, 燃油炉;
Heat source to be supplied Electricity Steam Hot water Heat conduction Gas fuel furnace Coal fuel furnace Oil fuel furnace
13. 选购设备要求制作材质: _____
Required material for manufacturing equipment when selection:
14. 环保要求及对物料回收率的要求: _____
Requirements of environmental protection and requirements of yield:
15. 可供安装场地: _____
Field to be installed:
16. 其他要求: _____
Other requirements: